

# LEXUS LS 400 1990-94

## LEXUS LS 400 1990-94

### SECTION INDEX

A/C REFRIGERANT CAPACITIES.....	579
ABS/BRAKES.....	581
AIR BAG SYSTEM.....	581
AIR CLEANER.....	583
AIR CONDITIONING/HEATER.....	579
BACK WINDOW.....	588
CENTER CONSOLE.....	585
CLEAR COAT IDENTIFICATION.....	578
COOLING.....	579
COWL & DASH.....	584
CRUISE CONTROL SYSTEM.....	581
ELECTRICAL.....	584
EMISSION SYSTEM.....	584
ENGINE.....	583
ENGINE/TRANS MOUNTS.....	583
EXHAUST.....	584
FRONT BUMPER.....	578
FRONT DOOR.....	586
FRONT FENDER.....	580
FRONT INNER STRUCTURE.....	580
FRONT LAMPS.....	578
FRONT STEERING LINKAGE/GEAR.....	582
FRONT SUSPENSION.....	582
FUEL TANK.....	590
GRILLE.....	578
HOOD.....	579
INFORMATION LABELS.....	578
INSTRUMENT PANEL.....	585
LUGGAGE LID.....	589
PAINT CODE LOCATION.....	578
QUARTER PANEL.....	588
REAR BODY.....	590
REAR BUMPER.....	591
REAR DOOR.....	587
REAR DRIVE AXLE.....	590
REAR LAMPS.....	591
REAR SUSPENSION.....	589
ROCKER/PILLARS/FLOOR.....	585
ROOF.....	588
SEAT.....	585
SEAT BELTS.....	586
SPECIAL CAUTIONS.....	578
STEERING PUMP.....	583
STEERING WHEEL/COLUMN.....	583
SUNROOF.....	588
UNDERHOOD DIMENSIONS.....	580
WHEEL.....	582
WINDSHIELD.....	584

### SPECIAL CAUTIONS

#### AIR BAG

Refer to Procedure Explanation 29 for Supplemental Restraint/Air Bag Special Cautions.

#### CENTERING BOLTS

Manufacturer advises substituting a bolt with washer for centering bolts. Since parts attached with self-centering bolts cannot be adjusted with the bolts in place.

#### ELECTRICAL

Negative terminal should be disconnected and isolated prior to any electrical repair, welding or charging of battery.

#### WELDING

Before initiating any repair involving the use of an electric welder, the ignition must be in the off position and both battery terminals disconnected.

### PAINT CODE LOCATION

Paint code located on driver side center post.

### CLEAR COAT IDENTIFICATION

All colors except for Black Code 202 are clear coat. Diamond White Code 051 and Opal White Pearl Code 046 are three stage. Refer to Lexus Advanced Painting Techniques Reference Guide for refinishing recommendations.

### INFORMATION LABELS

Brake Tube Caution 47995-50010 1.92

Jack Up Caution	48969-50031	1.14
Engine Name Plate	11291-50021	47.60
Label Cover Film	74571-50010	1.54
Theft Warning	R/L 74515-50010	9.03
Child Proof	R/L 69339-AA020	1.63
Tire Pressure Caution	90-92 42661-50010	2.27
	93-94 42661-50060	2.06
Fuel Caution		
USA	74559-50010	1.02
Canada	N.A.	0.00
Engine Service Info	11296-50010	7.21
Emission Control Info	11298-50020	3.83
Fan Shroud Caution	88723-50040	2.14
Battery Caution	28898-50010	1.92
Order by Application		
Battery Insulator	28898-50120	1.50

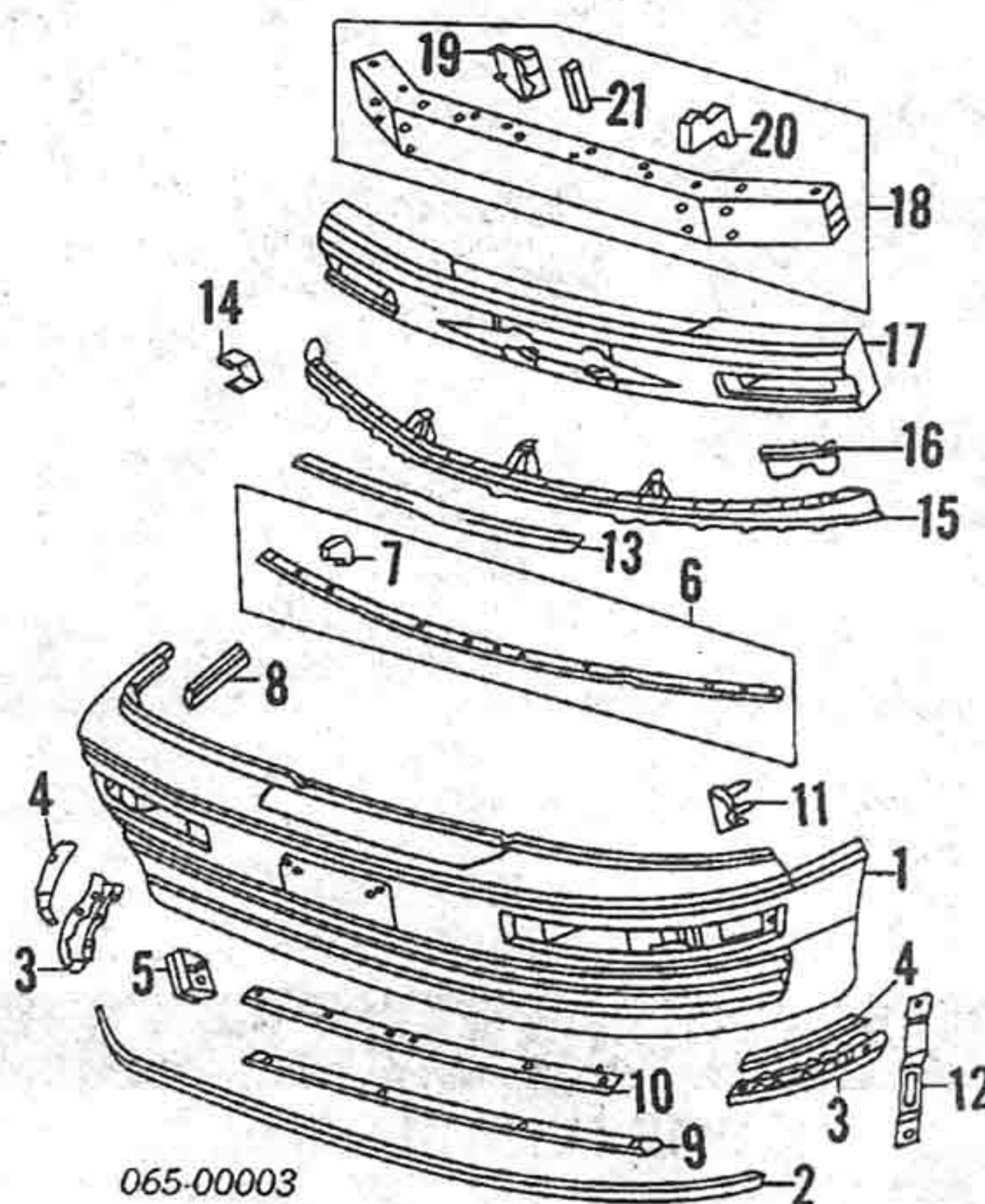
### FRONT BUMPER

Use Procedure Explanations 1 and 28 with the following text.

Refinish Front Cover.....	2.0
Refinish Spoiler.....	R/L .4
Refinish Upper Reinforcement.....	.5
R&L Bumper Assy.....	#1.6
O/H Bumper Assy (Includes R&L).....	#2.8

#Includes R&L/R&R Headlamp Assemblies, Side Marker Lamps & Engine Under Covers, w/Headlamp Washers Add .3

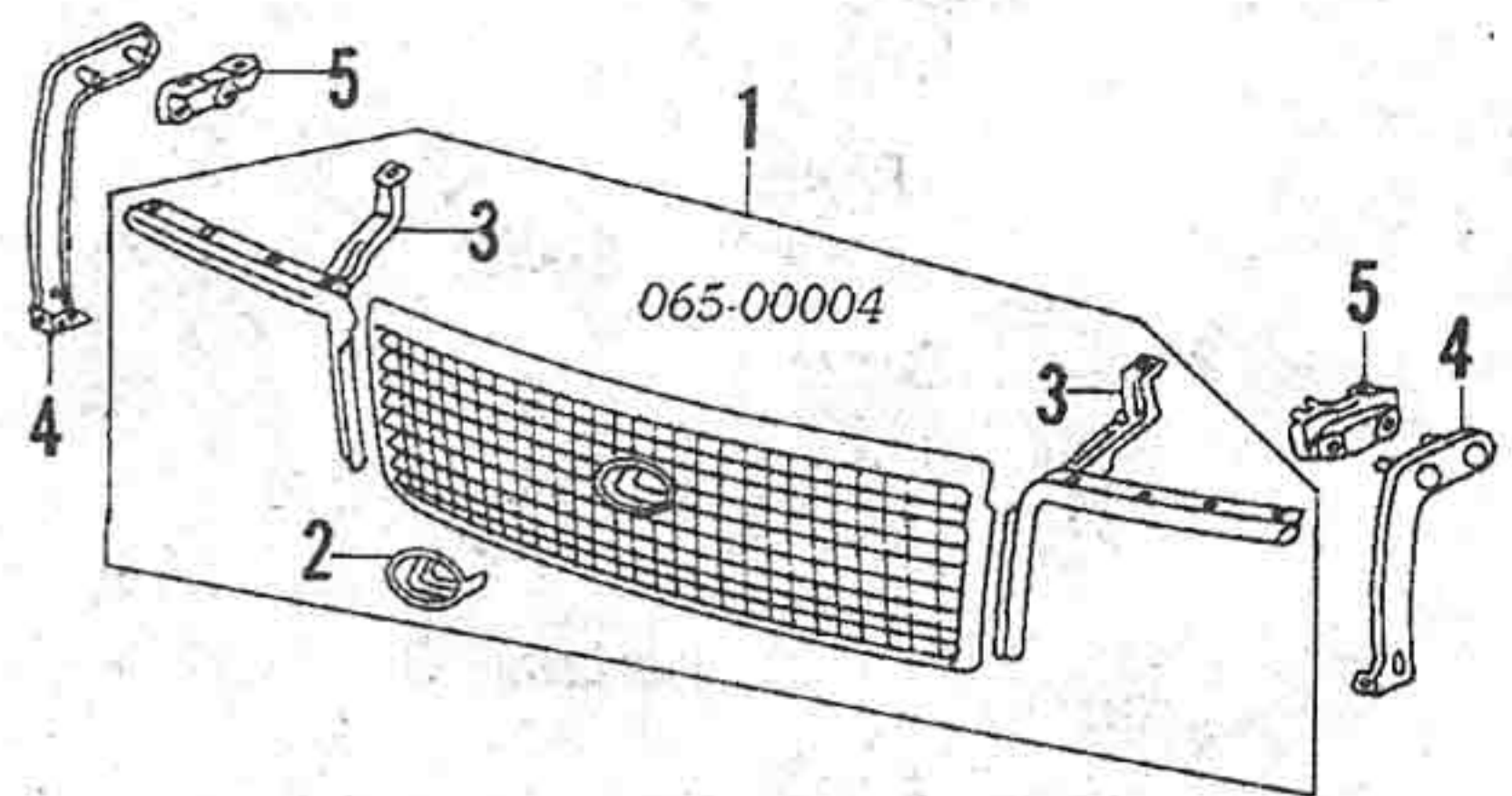
NOTE: All Parts in this section are included in overhaul unless noted otherwise.



1 Cover, Front (P)			
USA	52119-50907	#2.8	435.55
Canada	N.A.	#2.8	0.00
(P) Paint to Match			
#Includes R&L/R&R Headlamp Assemblies, Side Marker Lamps & Engine Under Covers, w/Headlamp Washers Add .3			
2 Moulding, Cover	52711-50010	.4	107.84
3 Spoiler, Air	90-92 R 76081-50010	#3	117.72
	L 76083-50010	#3	117.72
	93-94 R 76081-50903	#3	107.15
	L 76083-50900	#3	107.15
4 Retainer, Spoiler	R 76853-50010	#3	6.39
	L 76854-50010	#3	6.39
#R&R One Side Complete			
5 Bracket, License Mtg	R 52121-14090	#2	5.63
	L 52122-14010	#2	5.63
#R&R Complete			
6 Retainer Assy, Upr Ctr	52521-50010	IOH	38.86
7 Seal, Cover	R/L 52339-50010	IOH	3.36
#Included w/Upper Center Retainer Assy			
8 Retainer, Upper Side	R/L 52537-50010	IOH	9.60
9 Retainer, Lower Outer	52527-50010	IOH	38.86
10 Retainer, Lower Inner	52526-50010	IOH	28.49
11 Brkt, Cover Upper	R 52535-50010	IOH	7.21
	L 52536-50010	IOH	7.21
12 Brkt, Cover Side	R 52539-50010	IOH	13.34
	L 52549-50010	IOH	12.48
13 Filler, Cover	R 52512-50010	IOH	15.54
	L 52513-50010	IOH	15.54
14 Plate, Bracket	R/L 52137-50010	IOH	5.74
15 Reinforcement, Upper	52029-50010	#3	62.90
#w/Bumper Removed, Not Included in O/H			
16 Support, Side	R 52115-50010	IOH	8.03
	L 52116-50010	IOH	8.03
17 Absorber, Impact	52611-50010	IOH	99.12
18 Bar Assy, Reinf	90 52021-50010	IOH	262.30
	91-94 52021-50011	IOH	238.58
19 Arm, Mounting	R 52011-50010	IOH	31.35
	L 52012-50010	IOH	31.35
20 Pad, Bumper	R/L 52421-50010	IOH	3.38
21 Seal, Side (2/Side)	R/L 52543-50010	IOH	3.36
#Included w/Reinforcement Bar Assy			

### GRILLE

R&L Grille Assy.....	#6
#Included in R&R Hood	

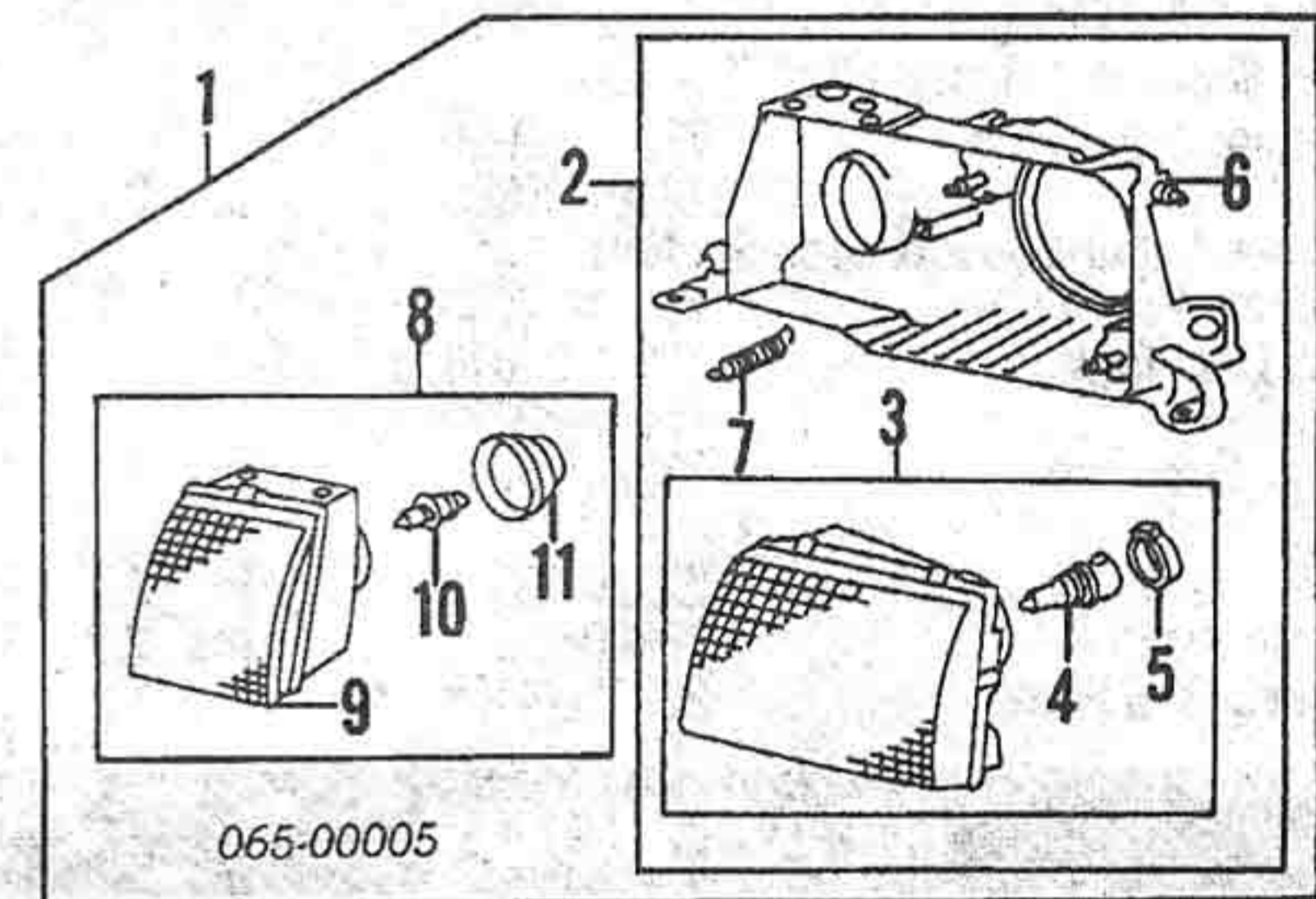


1 Grille Assy	90-92 53100-50010	#6	332.39
	93-94 53100-50040	#6	301.97
#Included in R&R Hood			
2 Emblem	75311-50040	.1	28.85
3 Seal, Lamp Cover	R 53183-50010	#6	21.82
	L 53184-50010	#6	21.82
#Included w/Grille Assy			
4 Brkt, Grille Side Outer	R 53117-50010	#6	16.75
	L 53118-50010	#6	16.75
5 Brkt, Grille Upper	R/L 53115-50010	#6	6.12
#R&R Complete w/Grille, Included in R&R Hood			

### FRONT LAMPS

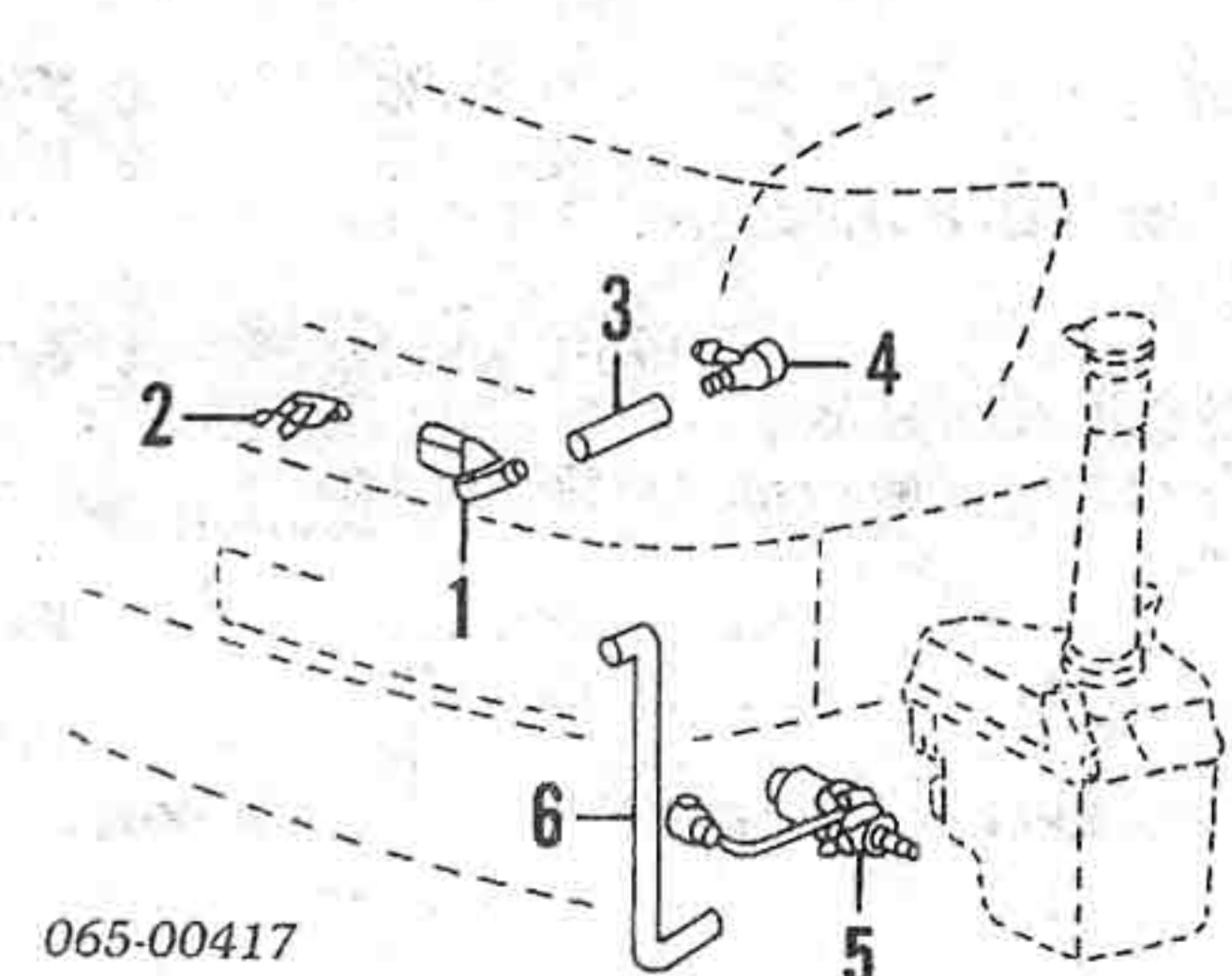
#### COMBINATION LAMP

R&R Does Not Include Aim Lamps.....	.4
R&L Lamp Assy (One Side).....	R/L #4
#Includes R&L/R&R Side Marker Lamp	



1 Lamp Assy, Combination			
1990-92	R 81110-50011	#4	434.10
	L 81150-50011	#4	434.10
1993-94	R 81110-50061	#4	392.08
	L 81150-50061	#4	392.08
#Includes R&L/R&R Side Marker Lamp			
2 Headlamp Assy	90-92 R 81130-50011	#5	282.40
	L 81170-50011	#5	282.40
	93-94 R 81130-50061	#5	256.72
	L 81170-50061	#5	256.72
#Includes R&R Fog & Side Marker Lamp			
3 Lens Assy (a)	90-92 R 81131-50011	#3	231.05
	L 81171-50011	#3	231.05
	93-94 R 81131-50061	#3	210.27
	L 81171-50061	#3	210.27
4 Bulb (a) (b)	90-92 R/L 90981-13032	#3	35.85
	93-94 R/L 90981-13055	#3	35.85
5 Cap, Bulb (a) (b)	90-92 R/L 90075-99010	#3	1.00
	93-94 R/L 90075-99095	#3	4.96
(b) Included w/Lens Assy			
#R&R Complete One Side			
6 Housing (a)	R 81105-50010	#6	196.67
	L 81106-50010	#6	196.67
#Includes R&L/R&R Side Marker & Fog Lamp			
7 Spring, Tension (a)	90-92 R/L 90075-25520		1.22
(a) Included w/Headlamp Assy			
8 Lamp Assy, Fog	90-92 R 81132-50010	#3	232.73
	L 81172-50010	#3	232.73
	93-94 R 81132-50061	#3	211.48
	L 81172-50061	#3	211.48
9 Lens & Body (a)	90-92 R 81133-50010	#3	195.96
	L 81173-50010	#3	195.96
	93-94 R 81133-50061	#3	156.90
	L 81173-50061	#3	156.90
10 Bulb (a)	R/L 90981-13027	#3	20.02
11 Cover, Socket (a)	R/L 90075-99015	#3	10.80
#Included w/Combination Lamp Assy			
(a) Included w/Fog Lamp Assy			
#R&R One Side Complete			

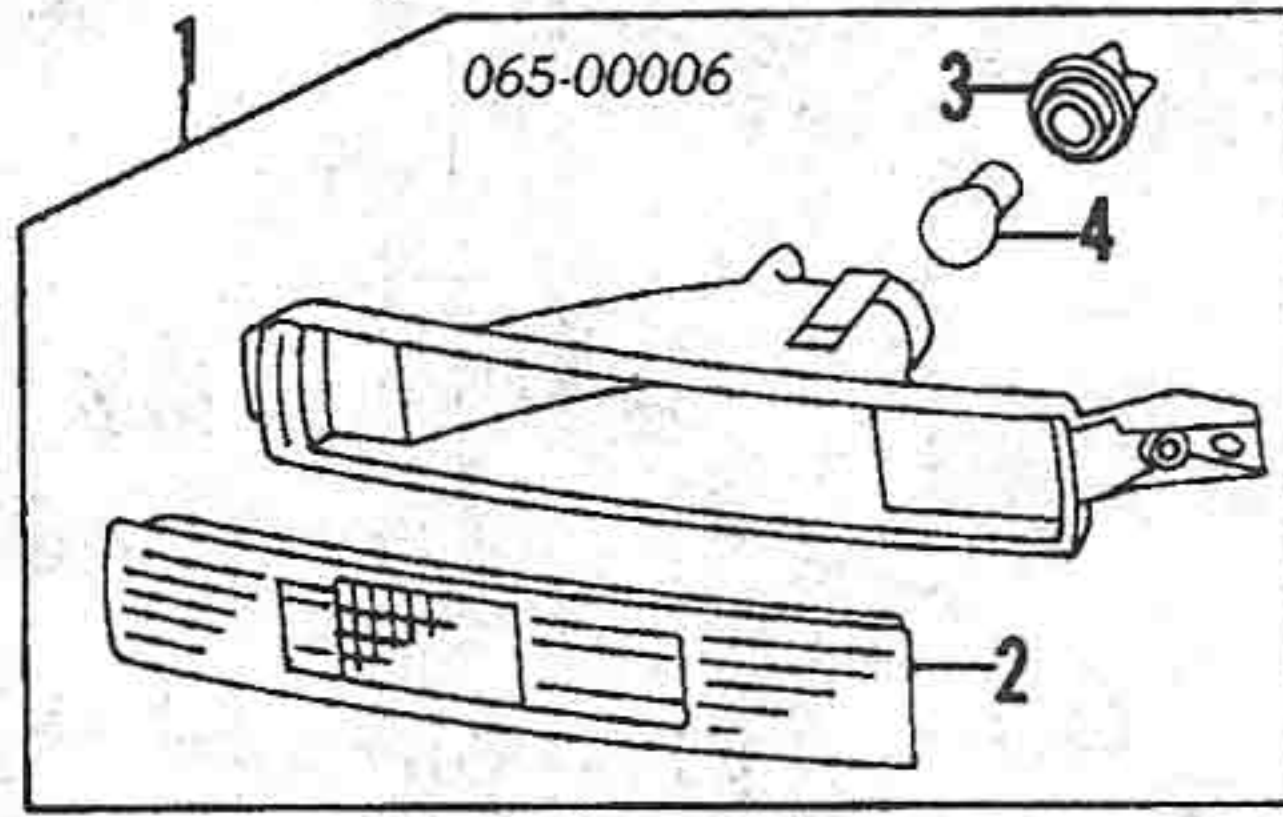
### HEADLAMP WASHER CANADA



1 Nozzle, H/Lamp Washer	R/L N.A.	0.00
¶Black listed, Order by Application		
2 Clip, Nozzle	R/L 85272-14010	3.49
3 Hose, Nozzle	R/L N.A.	0.00
4 Valve, Nozzle	R/L N.A.	0.00
5 Pump, Washer	N.A.	1.0 0.00
6 Hose, Pump	N.A.	0.00
Reservoir-See Windshield Section		

**SIGNAL LAMP-FRONT**

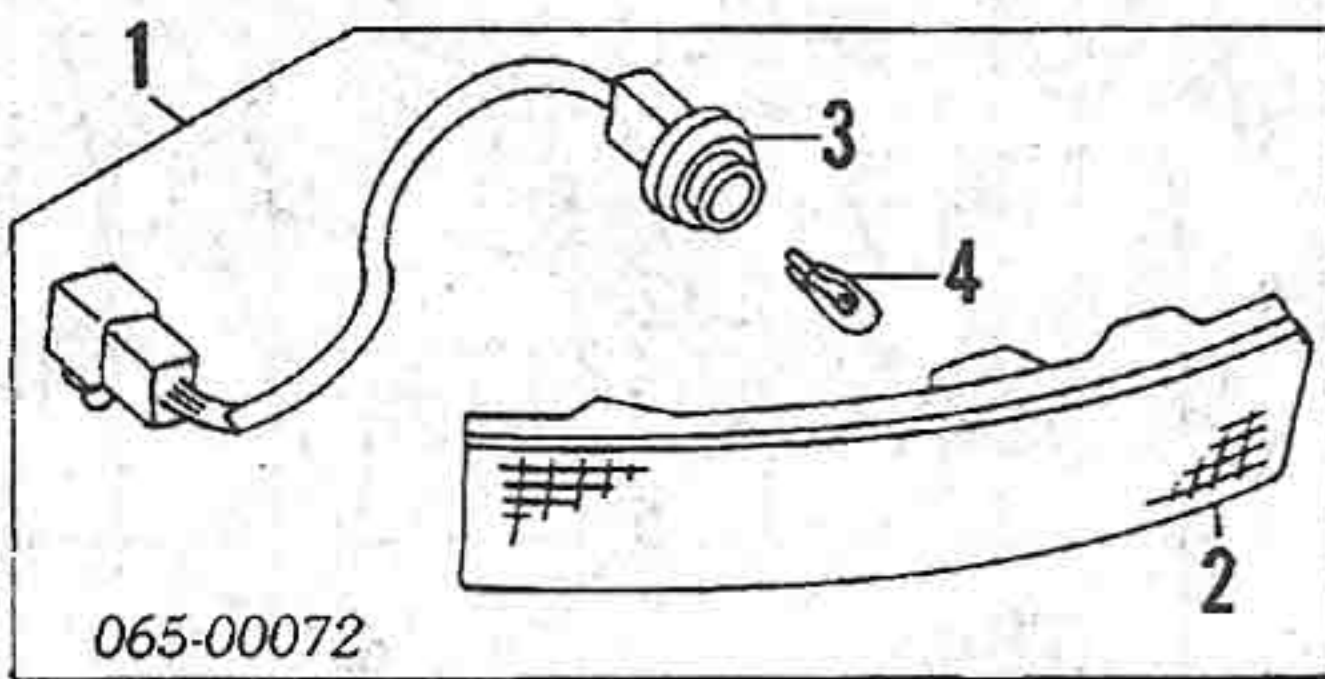
R&L Lamp Assy ..... R/L #3  
 #Included in R&L/R&R Side Signal Lamp, Also Included in R&R & O/H Bumper



1 Lamp Assy	R 81510-59015	#3	46.16
	L 81520-59015	#3	46.16
#Included R&R Side Signal Lamp, Also Included in R&R & O/H Bumper			
2 Lens	R 81511-50010	#2	41.22
	L 81521-50010	#2	41.22
#Included in R&R & O/H Bumper			
3 Socket	R/L 81615-87705		18.01
4 Bulb	R/L 00234-01156	2	.89
¶Included w/Lamp Assy			

**SIGNAL LAMP-SIDE**

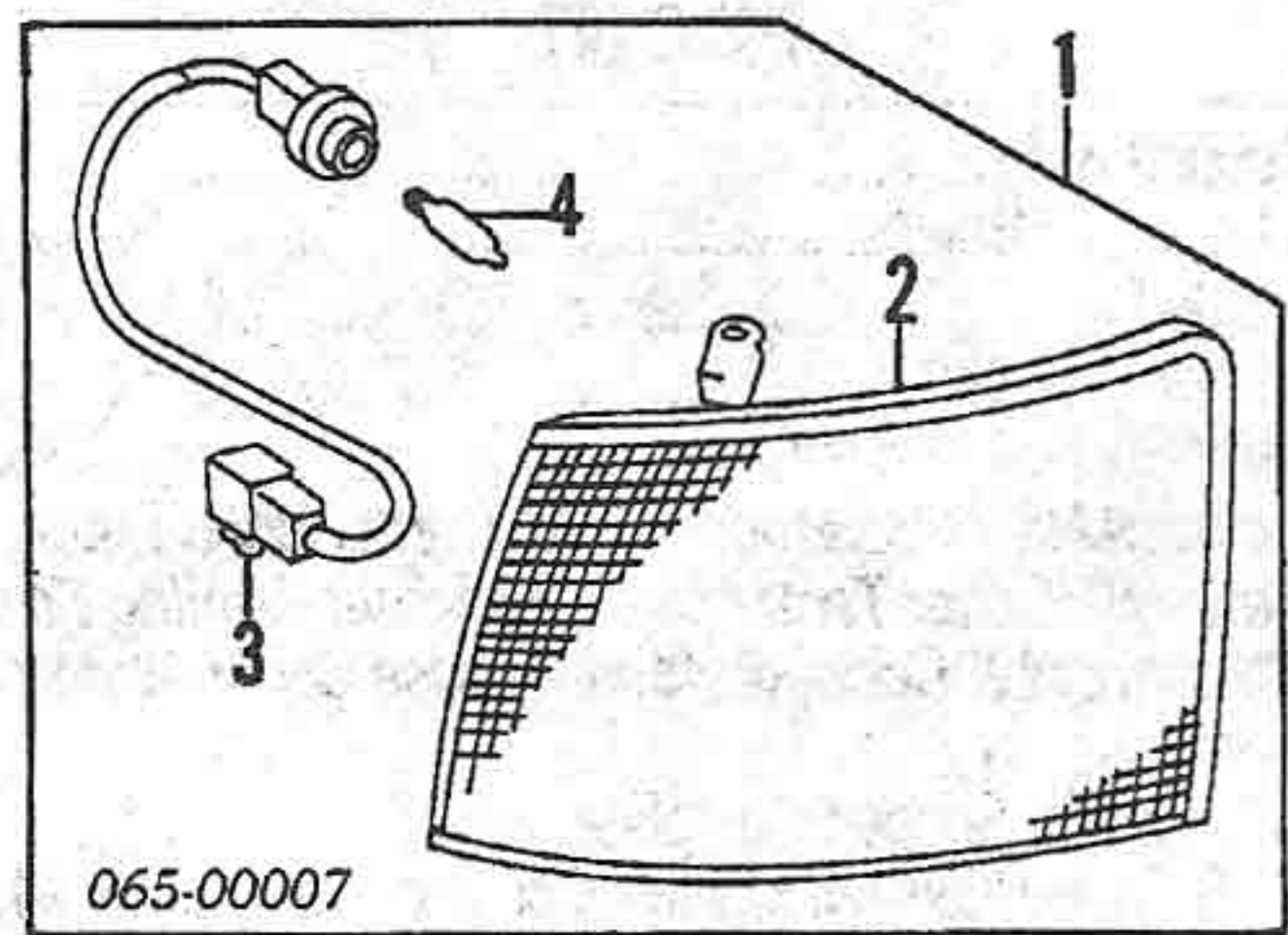
R&L Lamp Assy ..... R/L #2  
 #Included in R&R & O/H Bumper



1 Lamp Assy	R 81730-59325	#2	45.88
	L 81740-59015	#2	45.88
2 Lens	R 81731-50010	#2	40.60
	L 81741-50010	#2	40.60
#Included in R&R & O/H Bumper			
3 Socket w/Wire	R/L 81735-12180	#1	12.85
#w/Lens Removed			
4 Bulb	R/L 90981-12020	2	3.15
¶Included w/Lamp Assy			

**SIDE MARKER LAMP**

R&L Lamp Assy ..... R/L #2  
 #Included in R&L/R&R Fender & Combination Lamp Assy, Also Included in R&R & O/H Bumper

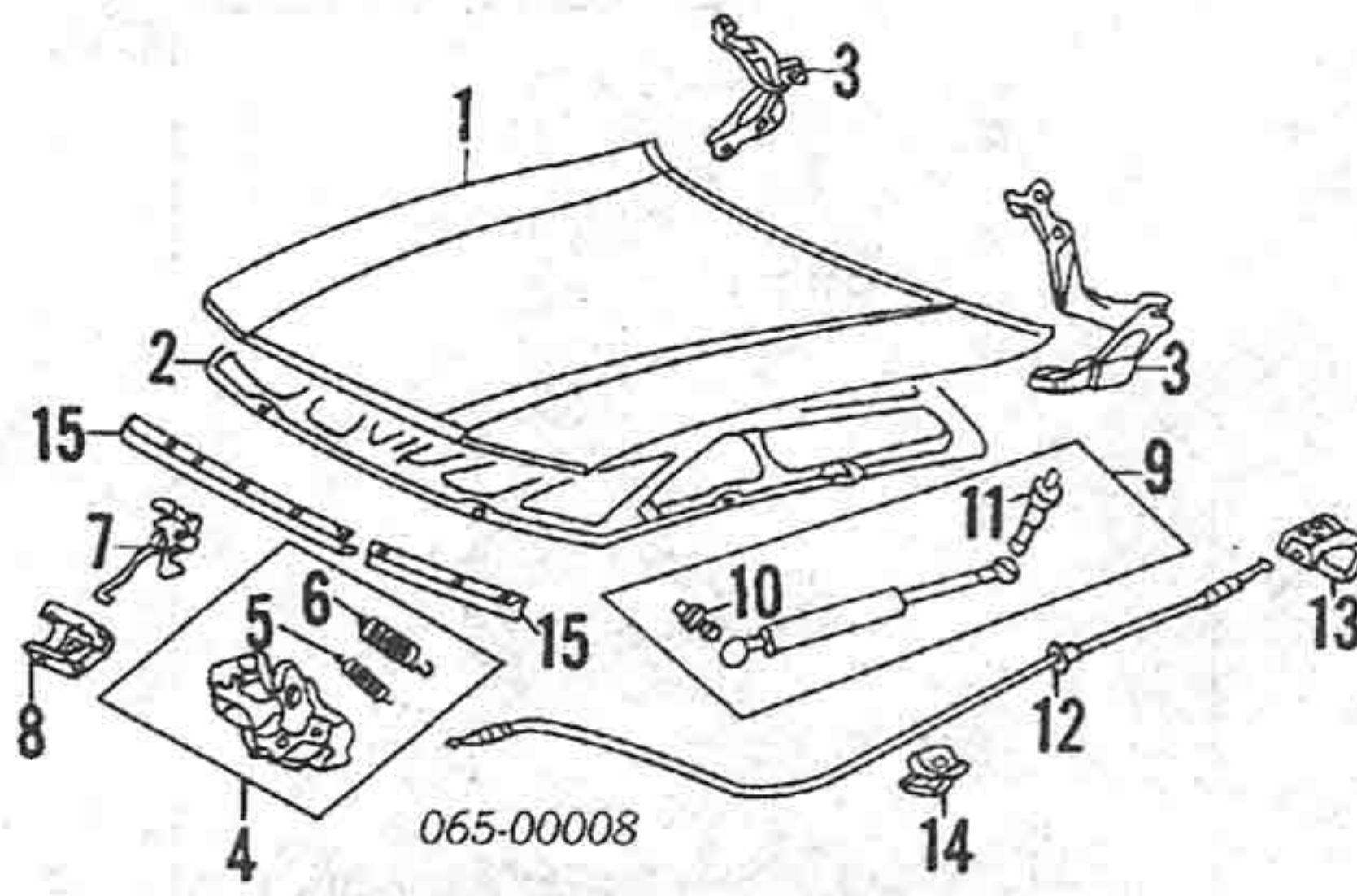


1 Lamp Assy	90-92 R 81610-50021	#2	73.75
	L 81620-50021	#2	73.75
	93-94 R 81610-50040	#2	76.45
	L 81620-50040	#2	76.45
2 Lens & Body	90-92 R 81611-50021	#2	68.39
	L 81621-50021	#2	68.39
	93-94 R 81611-50030	#2	62.23
	L 81621-50030	#2	62.23
#Included in R&R Fender, Also Included in R&R & O/H Bumper & R&L/R&R Headlamp Assy			
3 Socket w/Wire	R/L 81735-12180	#1	12.85
#w/Lamp Assy Removed			
4 Bulb	R/L 00234-00192	2	.93
¶Included w/Lamp Assy			

**HOOD**

Use Procedure Explanations 4 and 28 with the following text.

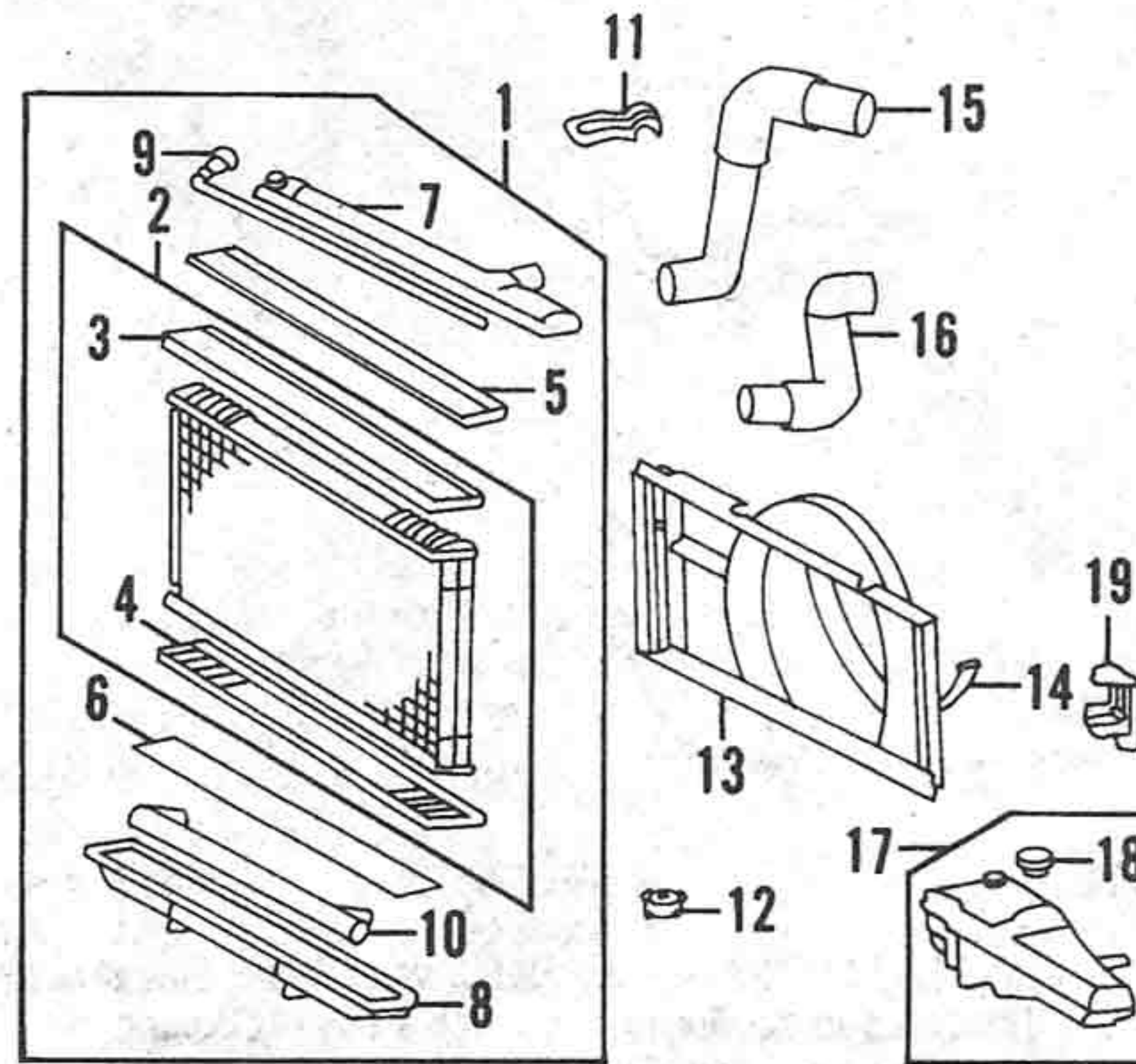
Refinish Hood Outside	3.1
Add for Underside	1.5
Refinish Hinge	R/L 2
R&L Hood Assy	5



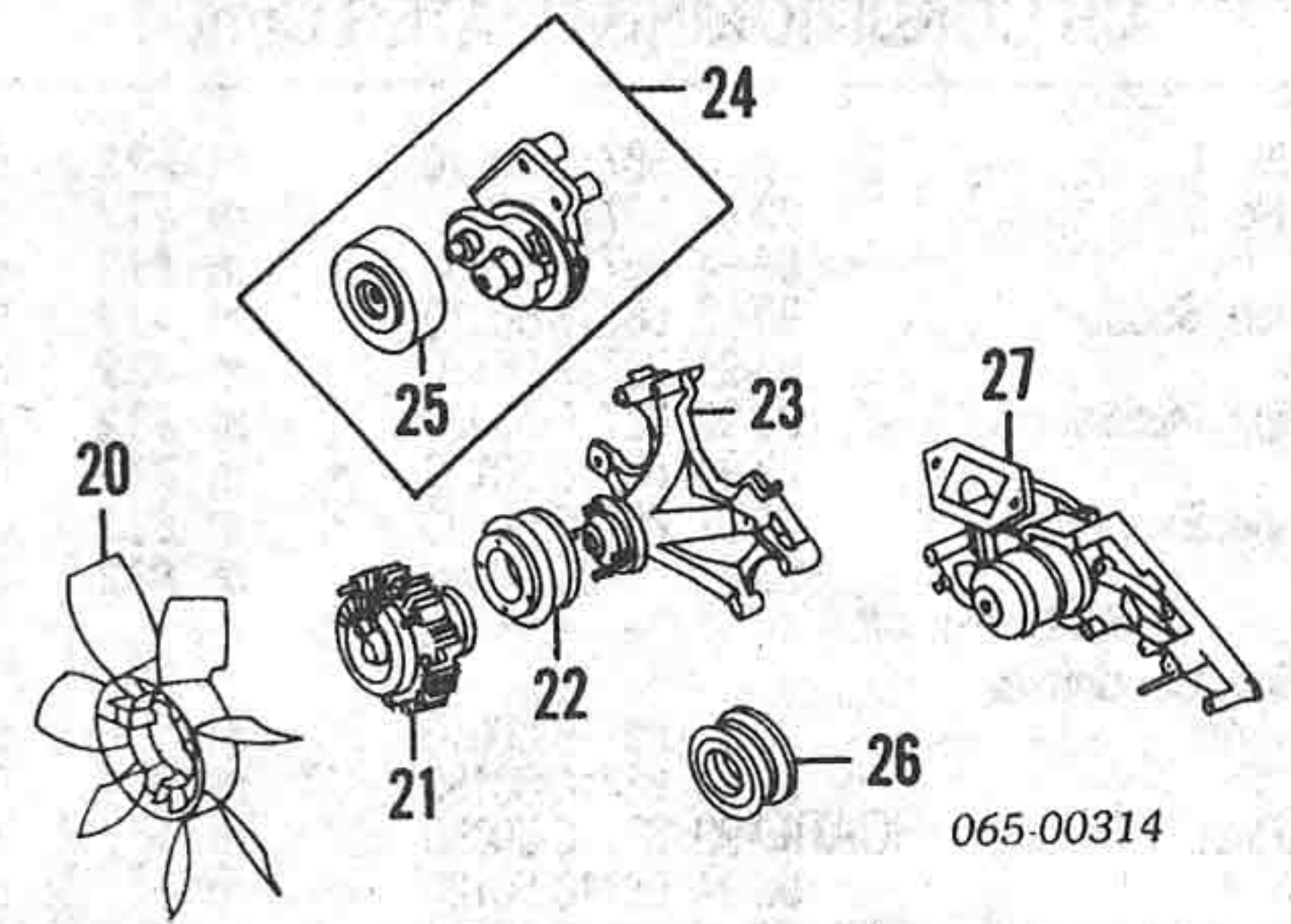
1 Hood	53301-50010	#1.5	525.10
#Includes R&L/R&R Grille			
2 Insulator	53341-50013	.4	276.09
Retainer, Insulator (17)	90467-08124		1.63
3 Hinge	R 53410-50010	#2	29.32
	L 53420-50010	#2	29.32
#w/Hood & Fender Removed			
4 Latch Assy	90-92 53510-50010	.3	40.30
	93-94 53510-33010	.3	36.68
Spring, Tension (a)			
5 Small	90506-09039		1.54
6 Large	90506-18061		2.98
¶Included w/Latch Assy			
(a) Order by Application			
7 Hook, Auxiliary Catch	53550-50010	.2	31.40
8 Lever, Catch Release	53540-50010	.1	28.91
9 Support Assy, Hood	R 53440-59015	.3	69.68
	L 53450-59015	.3	69.68
10 Bolt, Hood Supt Front	R/L 68961-50010		4.47
11 Bolt, Hood Supt Rear	R/L 68961-50020		10.42
¶Included w/Hood Support Assy			
12 Cable, Release	53630-50020	1.0	30.79
13 Lever, Release Cable	53601-50010-CO	.3	34.79
¶Blue listed, Order by Application			
14 Clip, Release Cable	90467-09043		1.46
15 Seal, Hood	R 53381-50010	.2	21.82
	L 53382-50010	.2	13.75

**COOLING**

Use Procedure Explanations 5 and 28 with the following text.



1 Radiator Assy	90-92 16400-50021	1.5	468.29
	93-94 16400-50090	1.5	468.29
2 Core Assy	16403-50021		323.15
3 Plate, Core Upper (a)	16452-50010		52.13
4 Plate, Core Lower (a)	16452-50020		52.13
(a) Included w/Core Assy			
5 Gasket, Radiator Upper	16442-50020		45.48
6 Gasket, Radiator Lower	16462-50020		45.48
7 Tank, Radiator Upper	16441-50020		151.19
8 Tank, Radiator Lower	16461-50020		135.80
9 Pipe, Radiator	16507-50011		34.76
10 Cooler, Trans Oil	16491-50020		275.86
¶Included w/Radiator Assy			
11 Support, Rad Upper	90-92 R 16505-50010		10.98
	L 16506-50010		13.01
	93-94 R 16505-50050		9.84
	L 16506-50030		11.87
12 Cushion, Lower	R/L 90480-40016		8.36
13 Shroud, Fan	16711-50011	#1.5	92.70
#R&R Complete w/Radiator			
14 Shroud, Fan Lower	16712-50010		19.69
15 Hose, Rad Upper	16572-50020	#9	32.55
16 Hose, Rad Lower	16571-50021	#9	16.59
#R&R Both 1.4			
17 Tank Assy, Coolant	16482-50010	.6	135.98
18 Cap, Tank	16401-50071		14.13
¶Included w/Coolant Tank Assy			
19 Bracket, Coolant Tank	16611-50010		6.56



20 Fan, Cooling	16361-50020	#8	79.70
21 Clutch, Fan	16210-50021	#8	223.83
22 Pulley, Fan	16371-50030	#8	48.63
#R&R Complete			
23 Bracket, Fan	16307-50011		197.67
24 Tensioner Assy	16620-0W035	.8	210.30
25 Pulley, Tensioner	16603-0W010		62.79
¶Included w/Tensioner Assy			
26 Pulley, Idler	16604-50030		59.29
Belt, Drive	90916-02463	.5	66.37
27 Pump, Water	16100-50022	m #5.0	186.16
#Includes R&R Engine Undercovers, Air Cleaner Assy, Air Cleaner Hose, Battery, Radiator & Shroud, Drive Belt, Fan Pulley & Fan, Idler Pulley, Left Side Ignition Coil, Distributor Caps & Housings, Timing Belt & Covers, Tensioner Assy, Alternator Assy, Crankshaft Pulley & Thermostat Housing			

**A/C REFRIGERANT CAPACITIES**

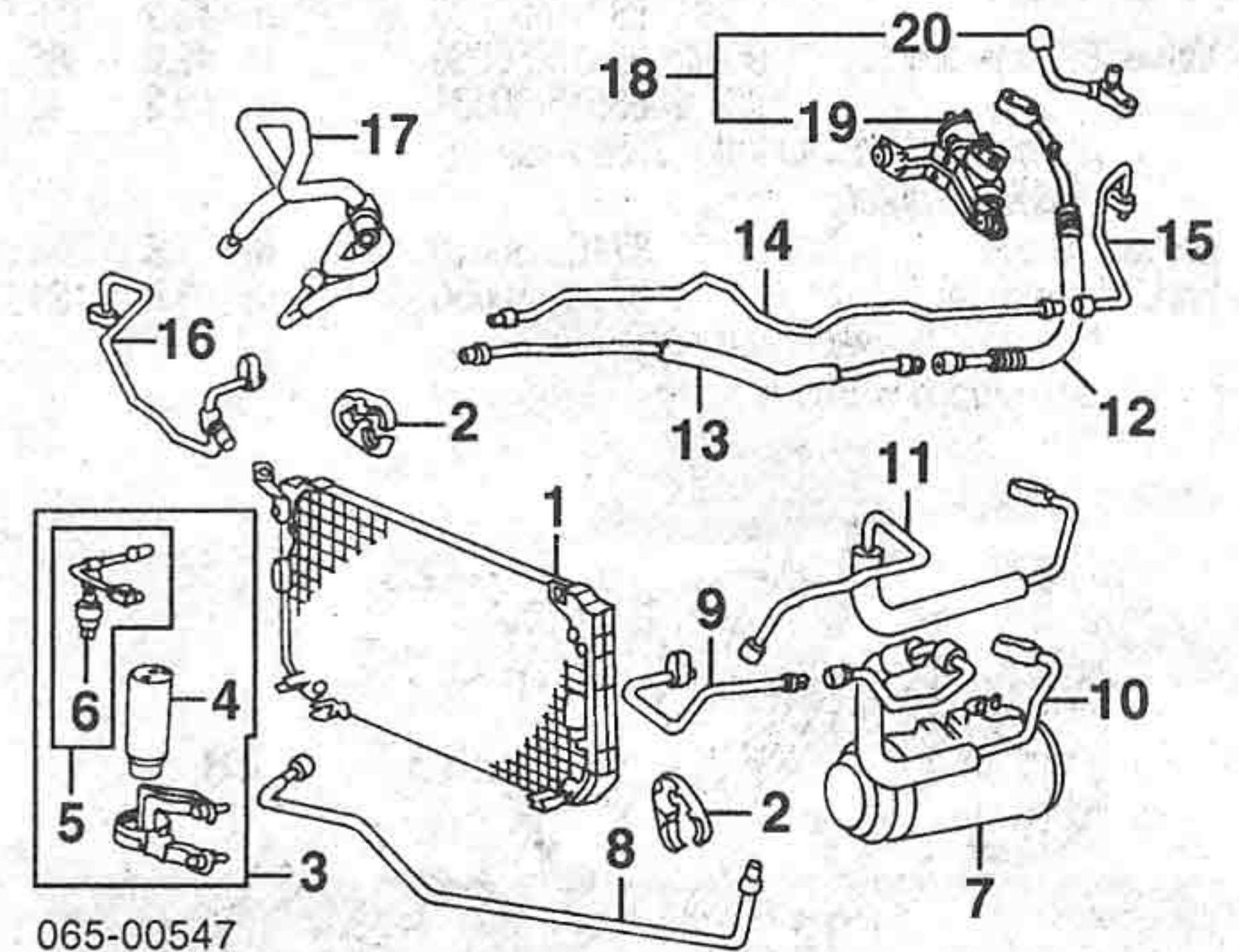
A/C R-12 Refrigerant Capacity  
 1990: 37.5 Ozs (2.34 Lbs)  
 1991-92: 37 Ozs (2.31 Lbs)  
 A/C R-134 Refrigerant Capacity  
 1993-94: 32 Ozs (2.0 Lbs)

**AIR CONDITIONING/HEATER**

Use Procedure Explanation 6 with the following text.

Evacuate & Recharge System	m 1.4
Recover Refrigerant	m .3

NOTE: R&R Does Not include recover, evacuate and recharge system.



1 Condenser	90-92 88460-50020	m #2.6	468.50
	93-94 88460-50090	m #2.6	556.41
#Includes R&L Front Bumper, Hood Latch Support & Headlamp Assemblies			
2 Plate, Condenser	1990-92 (2)		15.81
	1993-94		24.31
	R 88892-50010	m	15.81
	L 88892-50040	m	24.31
3 Receiver/Drier Assy	90-92 88470-50010	m #3	145.66
	93-94 88470-50050	m #3	158.11
4 Tank, Receiver	90-92 88471-50010	m #3	50.45
	93-94 88471-20050	m #3	52.98
5 Pipe Assy, Receiver	90-92 88716-50010	m #3	51.59
	93-94 88710-50170	m #3	85.97
#R&R Complete, w/Right Headlamp Assy Removed			
6 Switch, Pressure (a)	90-91 88645-50010	m .2	39.32
	92 88645-20040	m .2	35.70
	93-94 88645-20050	m .2	37.89
¶Included w/Receiver/Drier Assy			
(a) Included w/Receiver Pipe Assy			
7 Compressor	90-92 88320-50030-84	m 1.4	R761.02
	93-94 88320-50040-84	m 1.4	R857.11
¶Remanufactured Part. Contact Dealer for Core Charge & Exchange Information			
Clutch	90-92 88410-50010	m #3	227.16
	93-94 88410-50040	m #3	238.78
#w/Compressor Removed			
8 Pipe, Receiver	90-91 88717-50020	m .6	74.42
	92 88717-50100	m .6	275.71
	93-94 88717-50140	m .6	142.17
9 Tube, Discharge	90-92 88715-50010	m .4	38.04
	93-94 88715-50020	m .4	49.46
10 Hose, Discharge	90-92 88711-50030	m #3.2	146.60
	93-94 88711-50020	m #3.2	73.70
Hose, Suction			

# LEXUS LS 400 1990-94

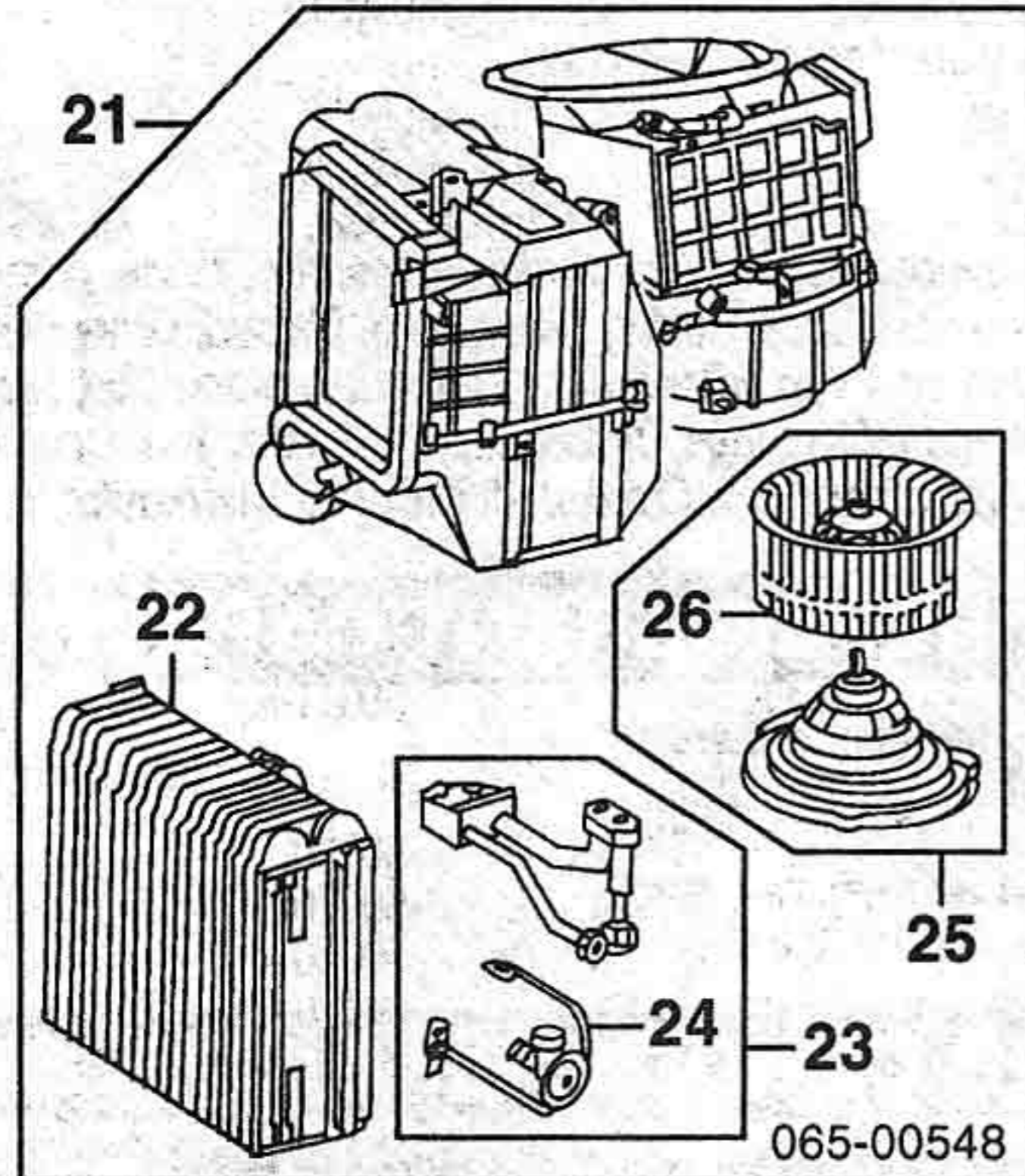
## AIR CONDITIONING/HEATER Cont'd

11	No. 1	88712-50010	m	#3.2	67.74
12	No. 2	90-92 88712-50020	m	#3.2	56.22
		93-94 88712-50080	m	#3.2	64.12
13	Pipe, Suction	90-92 88717-50010	m	#3.2	84.31
		93-94 88717-50170	m	#3.2	89.27
14	Pipe, Receiver	90-92 88716-50020	m	#3.2	76.03
		93-94 88716-50130	m	#3.2	65.43
15	Pipe, Evaporator	90-92 88716-50040	m	#3.2	33.26
		93-94 88716-50140	m	#3.2	37.87

#R&R One or All

<b>Pipe, Condenser</b>					
16	Front	90-92 88716-50010	m		51.59
		93-94 88716-50160	m		92.61
17	Rear	90-92 88716-50050	m		75.10
		93-94 88716-50120	m		53.97
18	Regulator Assy, Pressure	90-92 88503-50021	m		161.89
		93-94 88503-50110	m		211.79
19	Regulator	88503-50021	m		161.89
20	Hose, Regulator	90-92 88717-50030	m		36.49
		93-94 88717-50110	m		68.58

¶Included w/Pressure Regulator Assy

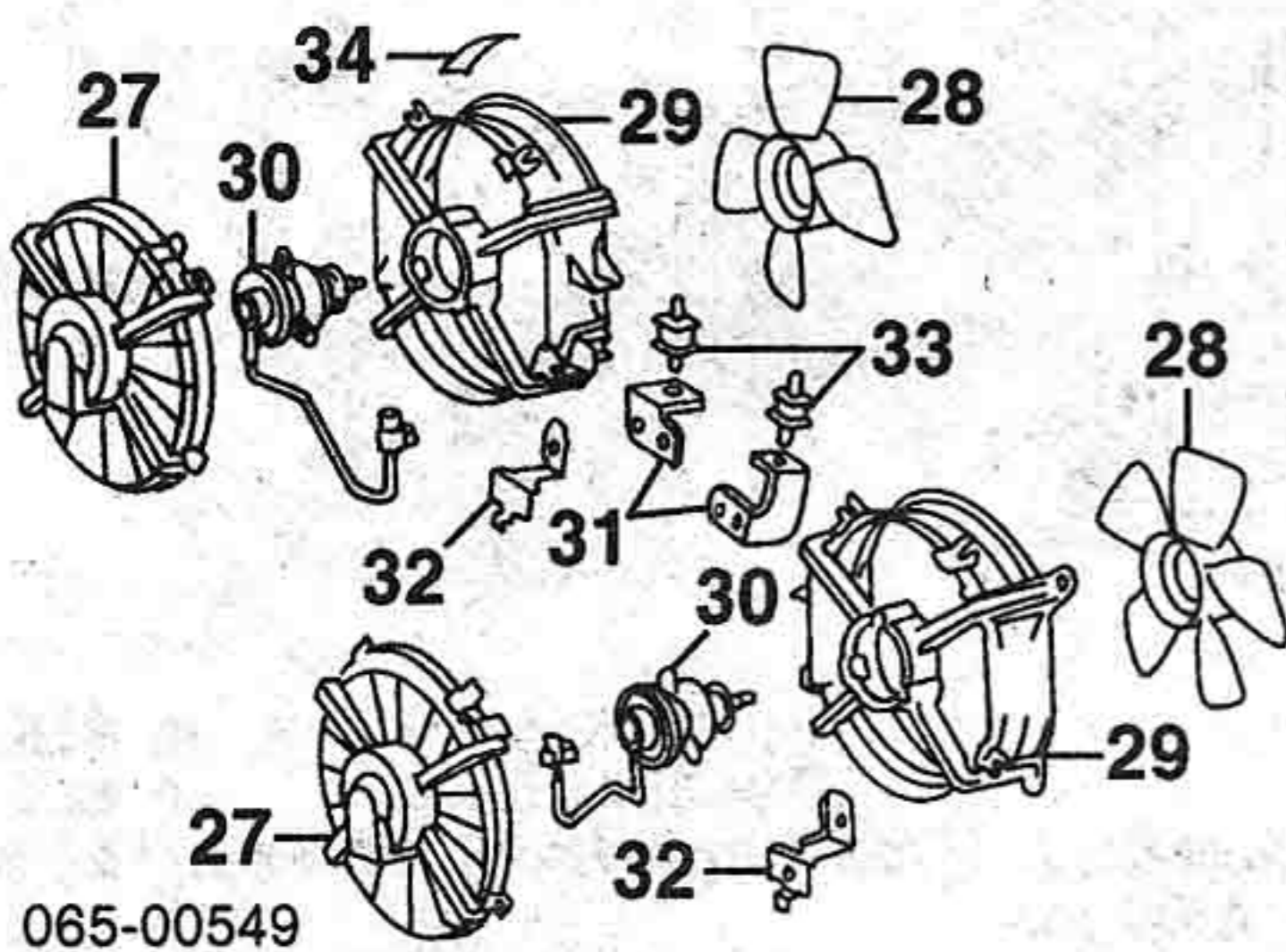


21	Evaporator Assy	90-92 88510-50011	m	2.7	849.82
		93-94 88510-50070	m	2.7	965.24
22	Core, Evaporator	90-92 88501-50170	m	2.2	335.75
		93-94 88501-50190	m	2.2	421.26
23	Tube Assy, Evaporator	90-92 88710-50020	m	#2.2	119.03
		93-94 88710-50230	m	#2.2	126.51
24	Valve, Expansion (a)	90-92 88515-50060	m	#2.2	85.70
		93-94 88515-50031	m	#2.2	72.13

(a) Included w/Evaporator Tube Assy  
#R&R Complete

25	Blower Assy	87103-50010	m	1.8	264.92
26	Fan, Blower (a)	87134-30050	m	1.8	21.38

¶Included w/Evaporator Assy  
(a) Included w/Blower Assy



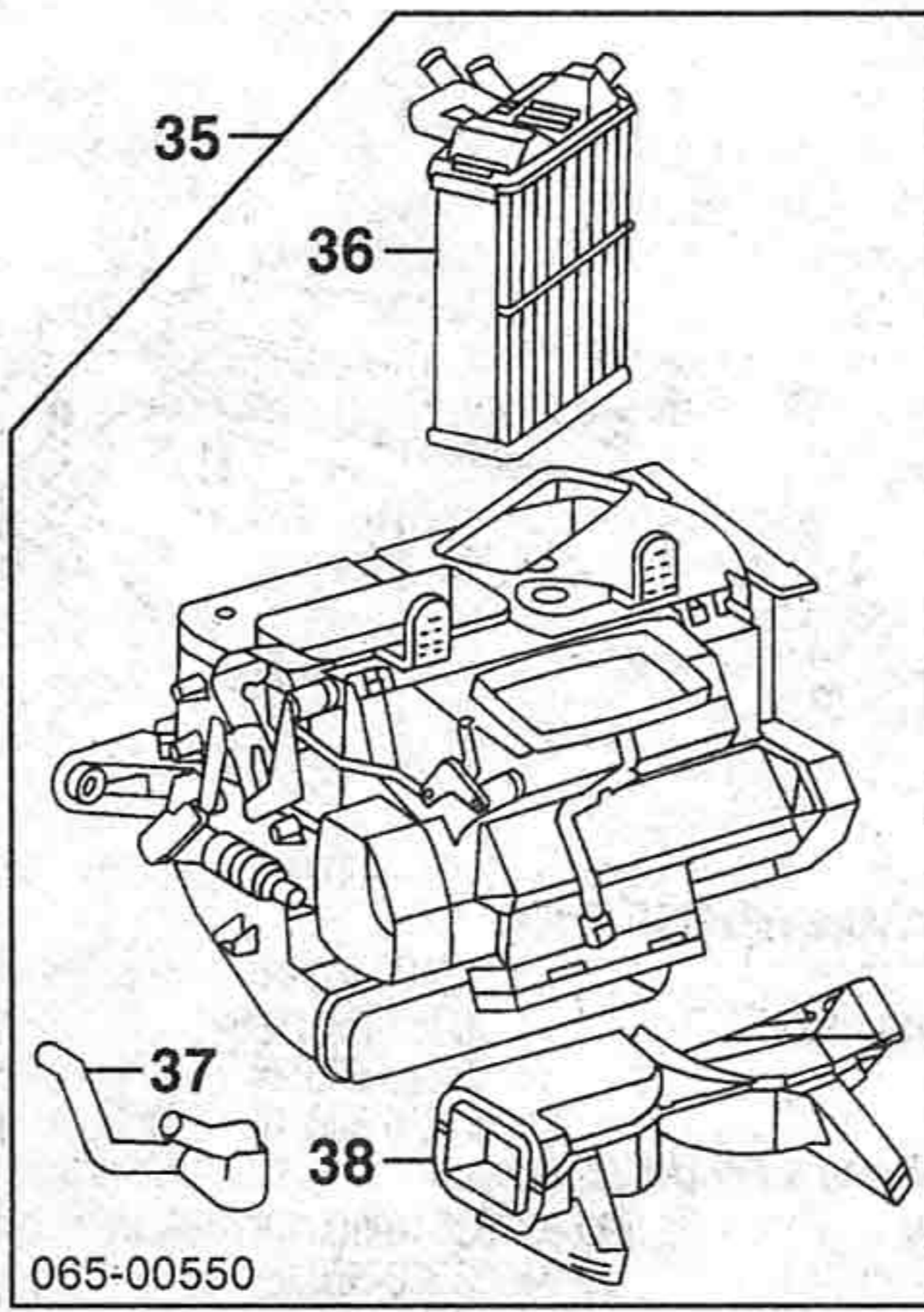
27	Cover, Fan	R/L 88892-50020	#2		35.66
		#w/Bumper & Headlights Removed			
28	Fan, Cooling	R 88453-50010	#5		35.66
		L 88453-50020	#5		35.66
29	Shroud, Fan	R 88454-50010	#5		69.41
		L 88454-50020	#5		35.66
30	Motor, Fan	90-92 R/L 88550-50010	#5		243.19
		93-94 R/L 88550-50040	#5		257.05

#w/Bumper & Headlight Removed, Includes R&R Cover & O/H Fan Assy, R&R Both Fan Assemblies .7

31	Bracket, Shroud Upper	R 88688-50010			4.99
		L 88688-50030			4.99
32	Bracket, Shroud Lower	R 88688-50020			15.81
		L 88688-50040			15.81
33	Cushion, Bracket	R/L 88467-50010			4.54
34	Plate, Caution-See Information Labels Section				

Illustration Located in Next Column

35	Heater Assy	90-92 87150-50011	m	#8.0	640.29
		93-94 87150-50030	m	#8.0	941.19
36	Core, Heater	87107-50010	m	#8.0	311.60
		#R&R Complete			
37	Hose, Air	88669-50010	m		11.32
38	Duct, Heater	87211-50010	m		65.09



¶Included w/Heater Assy

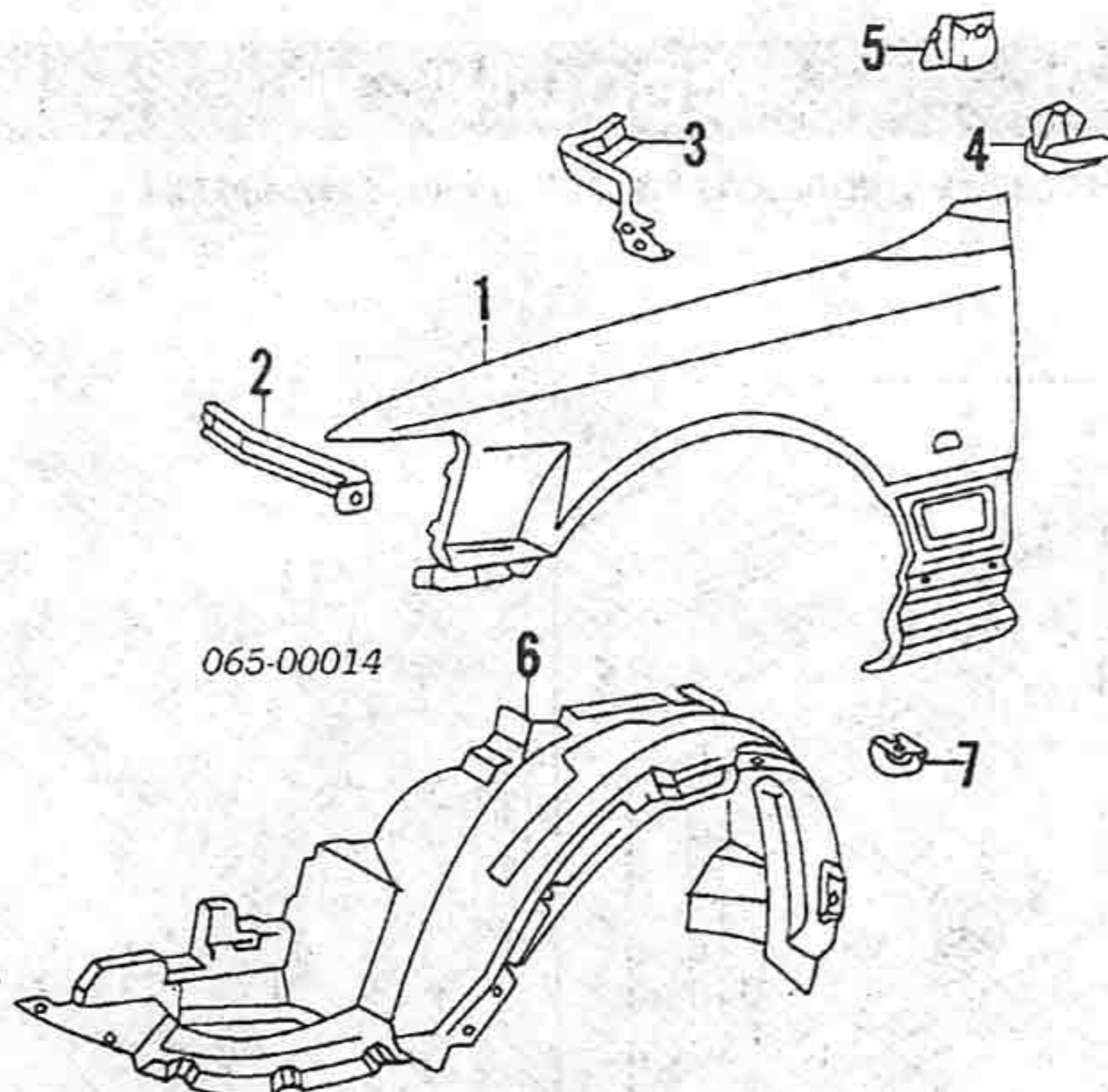
## FRONT FENDER

Use Procedure Explanations 7 and 28 with the following text.

### SHEET METAL

Refinish Fender Outside	R/L	2.6
Add to Edge	R/L	.5
R&I Fender Assy	R/L	#4.5

#Includes R&I Front Bumper, Splash Shield, Side Moulding, Headlamp Assy, Side Marker Lamp & Wheel Opening Moulding, Cowl Vent Grille & Wiper Arm



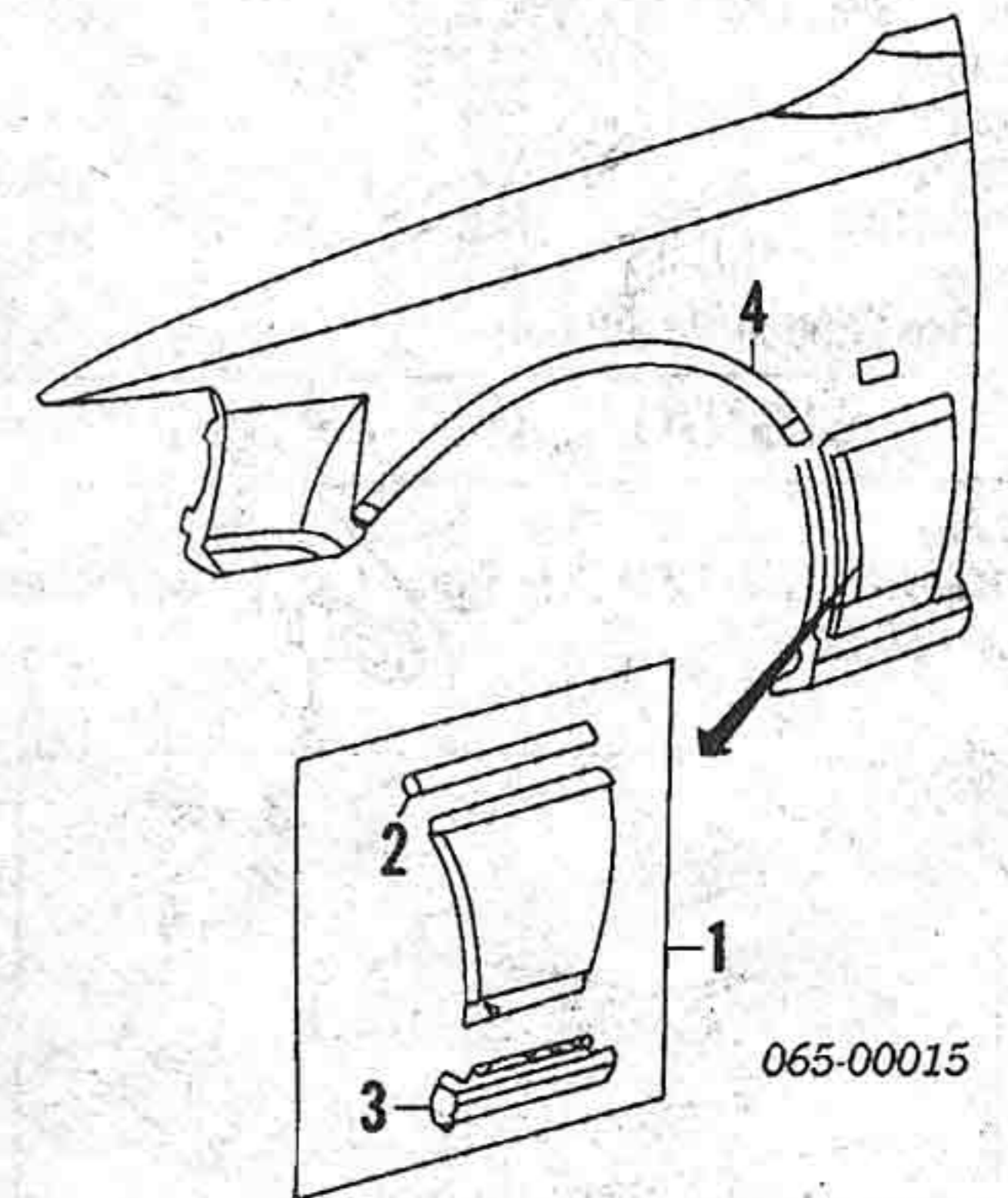
1	Fender	R 53801-50012	#4.5		309.67
		L 53802-50012	#4.5		309.67
		#Includes R&I Front Bumper, R&I Splash Shield, Side Moulding, Headlamp Assy, Side Marker Lamp & Wheel Opening Moulding, Cowl Vent Grille & Wiper Arm			
2	Brace, Fender	90-92 R 53835-50012	#.1		7.89
		L 53836-50012	#.1		9.24
		93-94 R 53835-50020	#.1		2.65
		L 53836-50020	#.1		4.86
3	Brace, Wheel Opening	R 53845-50020	#.1		10.22
		L 53846-50020	#.1		10.22
		#w/Fender Removed			
<b>Seal, Fender/Cowl</b>					
4	Outer	R 53866-50010			29.29
		L 53867-50010			29.29
5	Inner	R 53868-50010			13.42
		L 53869-50010			13.42
6	Shield, Splash	90-92 R 53875-50011	#.6		78.22
		L 53876-50011	#.6		78.22
		93-94 R 53875-50020	#.6		71.00
		L 53876-50020	#.6		71.00
		#Included in R&I/R&R Fender			
7	Retainer, Splash Shield (4/Side)	R/L 53879-22030			1.72

### EXTERIOR TRIM

R&I Side Moulding	R/L	.3
R&I Wheel Opening Moulding	R/L	.2

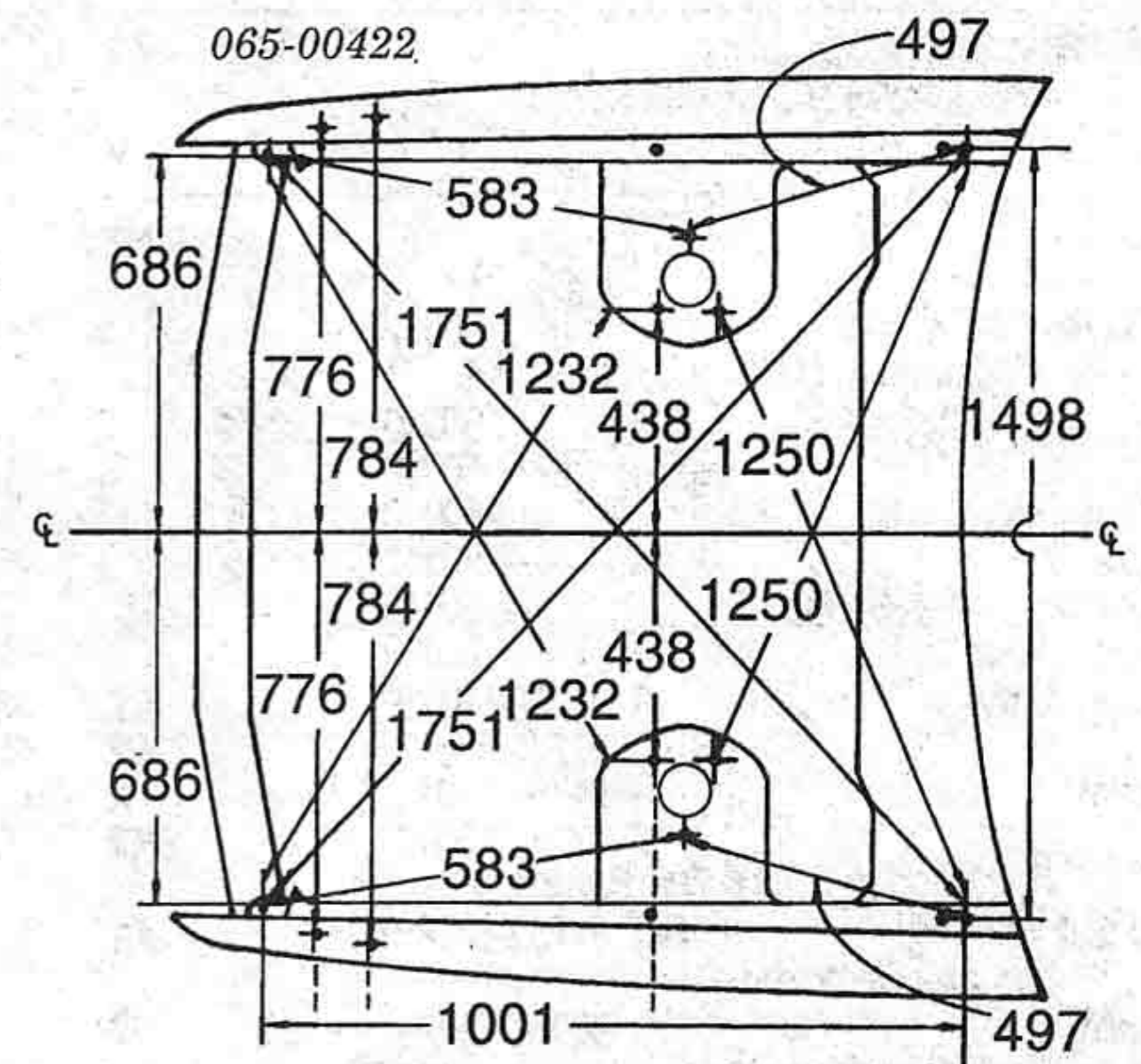
Illustration Located in Next Column

1	Moulding Assy, Side	90-92 R 75601-50010-33	#.3		222.70
		L 75602-50010-33	#.3		222.70
		93-94 R 75601-50020-C0	#.3		179.86
		L 75602-50020-C0	#.3		179.86
		¶Silver listed, Order by Application			
2	Mldg, Side Upper (a)	90-92 R 75613-50010	#.3		17.28



		L 75614-50010	#.3		17.28
		93-94 R 75613-50020	#.3		15.66
		L 75614-50020	#.3		15.66
3	Mldg, Side Lower (a)	90-92 R 75617-50010	#.3		66.83
		L 75618-50010	#.3		66.83
		(a) Included w/Side Moulding Assy			
		#R&R One Side Complete, Included in R&I/R&R Fender			
4	Mldg, Wheel Opening	R 75871-59025	#.3		75.59
		L 75872-59025	#.3		75.59
		#Included in R&I Fender			

## UNDERHOOD DIMENSIONS



## FRONT INNER STRUCTURE

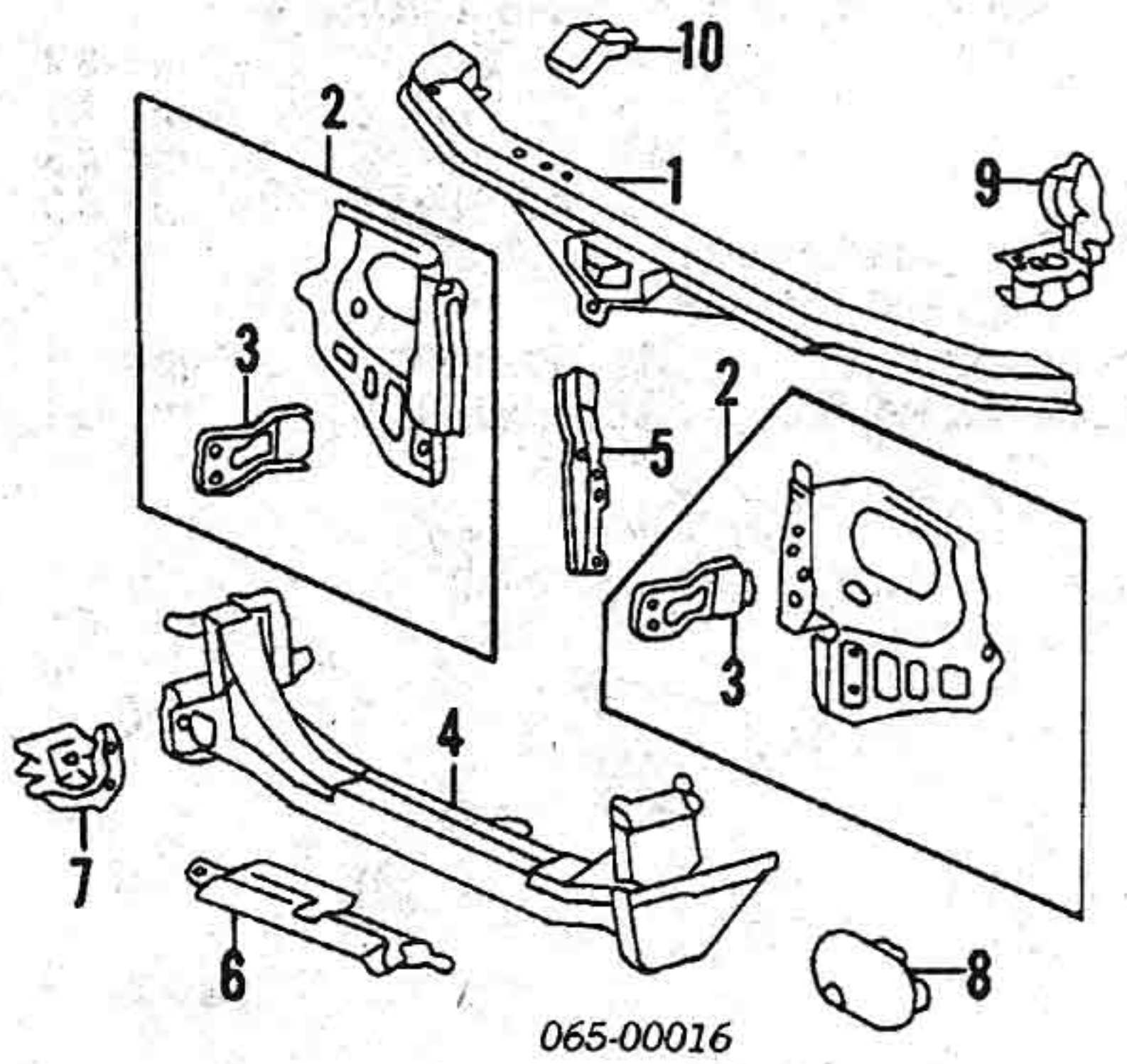
Use Procedure Explanations 8 and 28 with the following text.

### FRONT

Refinish Support Assy		1.5
Refinish Upper Tie Bar		.5
Refinish Side Panel	R/L	.5
Refinish Lower Tie Bar		.5
R&R Radiator Support Complete		#8.8
	#Includes R&R Radiator, Shroud, Horns, Hood Latch, Air Duct, Battery, Washer Tank Assy, Condenser Cooling Fans, Disconnect & Connect Hood Release Cable, Wiring &/or Harness	
Add to R&R Radiator Support Complete		
To R&I/R&R Base Model Mechanical Components	m	#1.5
	#Includes R&I/R&R Ambient Sensor, A/C Condenser Air Bag Sensor, Disconnect & Connect A/C Lines/Drier & ABS Actuator	
To Aim Lamps		.4
Evacuate & Recharge System	m	1.4
Recover Refrigerant	m	.3

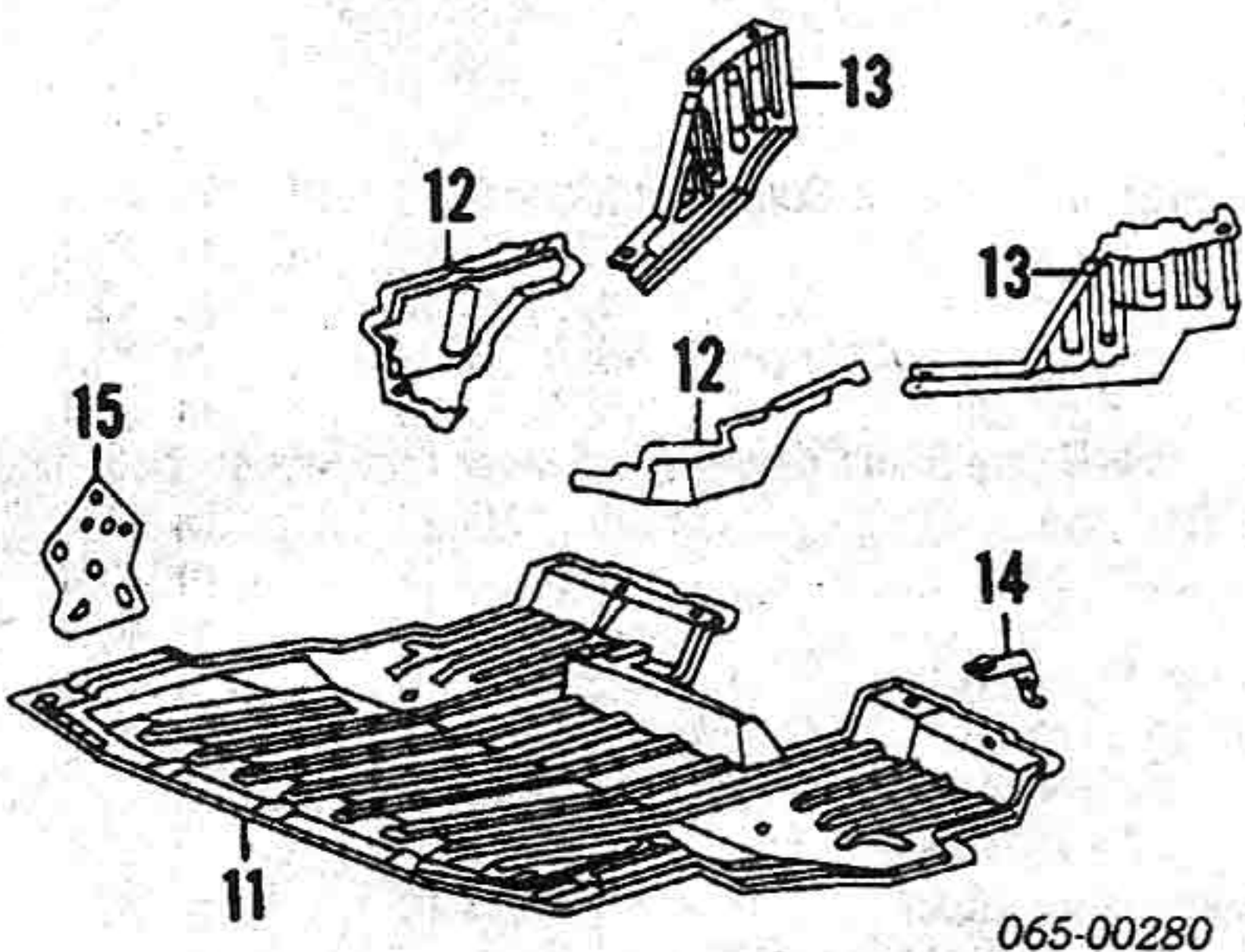
Illustration Located in Next Column

1	Tie Bar, Upper	53205-50012	s	#2.0	127.01
2	Panel Assy, Side	R 53202-50011	s	#2.5	54.99
		L 53203-50010	s	#2.5	55.25
		#w/Necessary Bolted Parts, Radiator & Shroud Removed			
3	Brkt, Arm Mtg	R 53273-50010	#		10.06
		L 53274-50010	#		10.06
		¶Included w/Side Panel Assy			
		#Included in R&R Core Support Complete			
4	Tie Bar, Lower	57104-50052	s	#3.0	200.54
		#w/Necessary Bolted Parts, Radiator & Shroud Removed			
5	Support Hood Latch	53217-50010		.4	18.08
6	Guide, Air Lower	53204-50011			105.33
7	Seal, Side Lower	R 53285-50010			26.38
		L 53286-50010			27.58



065-00016

8 Seal, Supt Service Hole	R/L 53293-50011	21.93
9 Seal, Side Upper	R 53291-50010	18.25
	L 53292-50010	20.17
10 Guide, Aux Latch	53561-50010	2 9.65



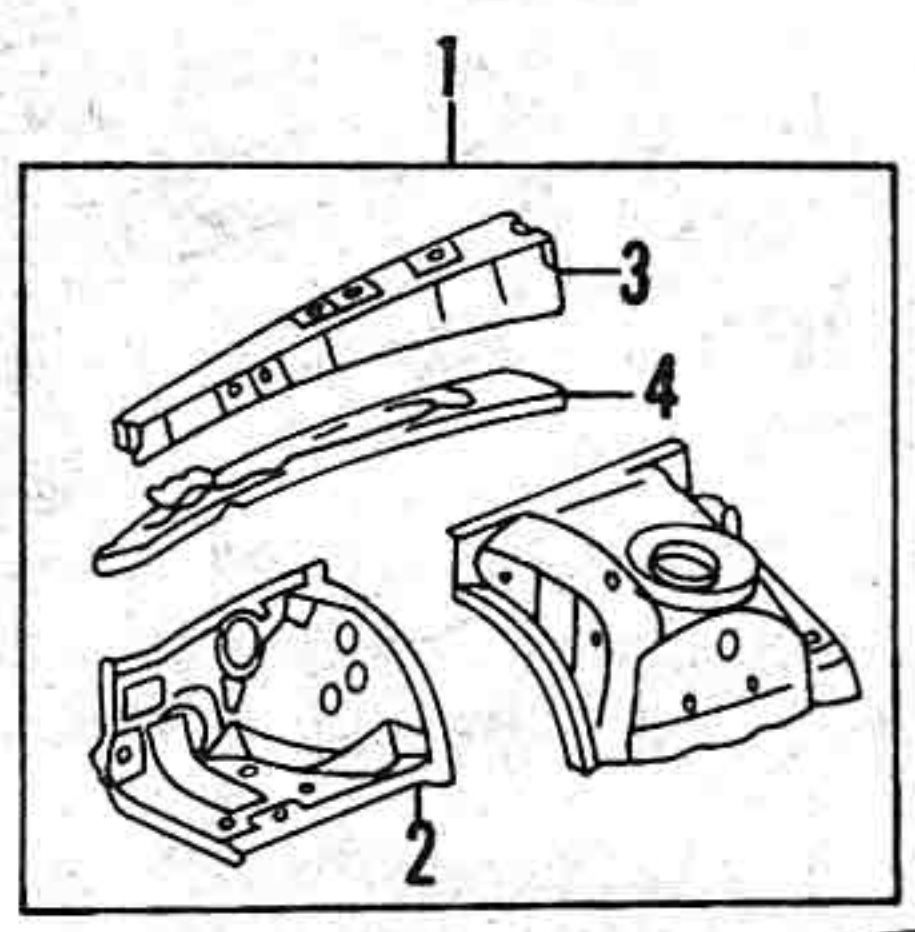
065-00280

11 Cover, Front Under	51441-50013	#5	149.74
#Included in R&R/R Bumper			
12 Cover, Front Side	R 51448-50010	.3	13.01
	L 51449-50010	.3	13.01
13 Cover, Rear Side	R 51443-50010	.3	13.01
	L 51444-50011	.3	13.01
14 Bracket, Under Cover	51445-50010		4.62
15 Hook, Tow	R 51967-50010		36.74
	L 51968-50010		36.41

**SIDE**

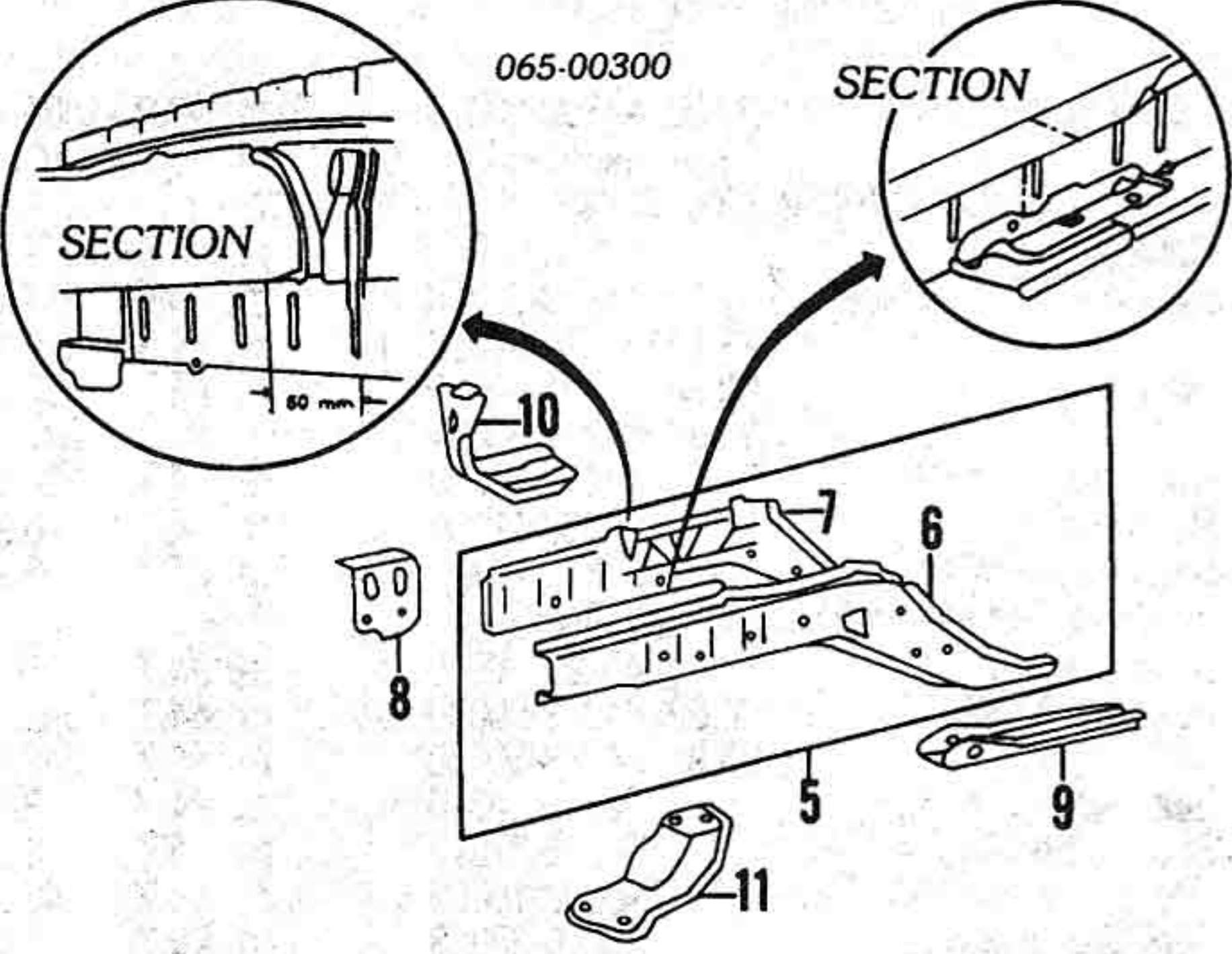
Refinish Apron & Unirail Assy	R/L	1.5
Refinish Apron Assy	R/L	1.0
Refinish Apron Panel	R/L	.5
Refinish Unirail Assy	R/L	1.0
Section Unirail Assy		
Front	R/L	#6.0
#w/Side Panel Removed, w/Apron Assy or Apron Panel Removed Deduct 1.5		

NOTE: For sectioning methods, refer to Manufacturer's Body Repair Manual.



065-00300

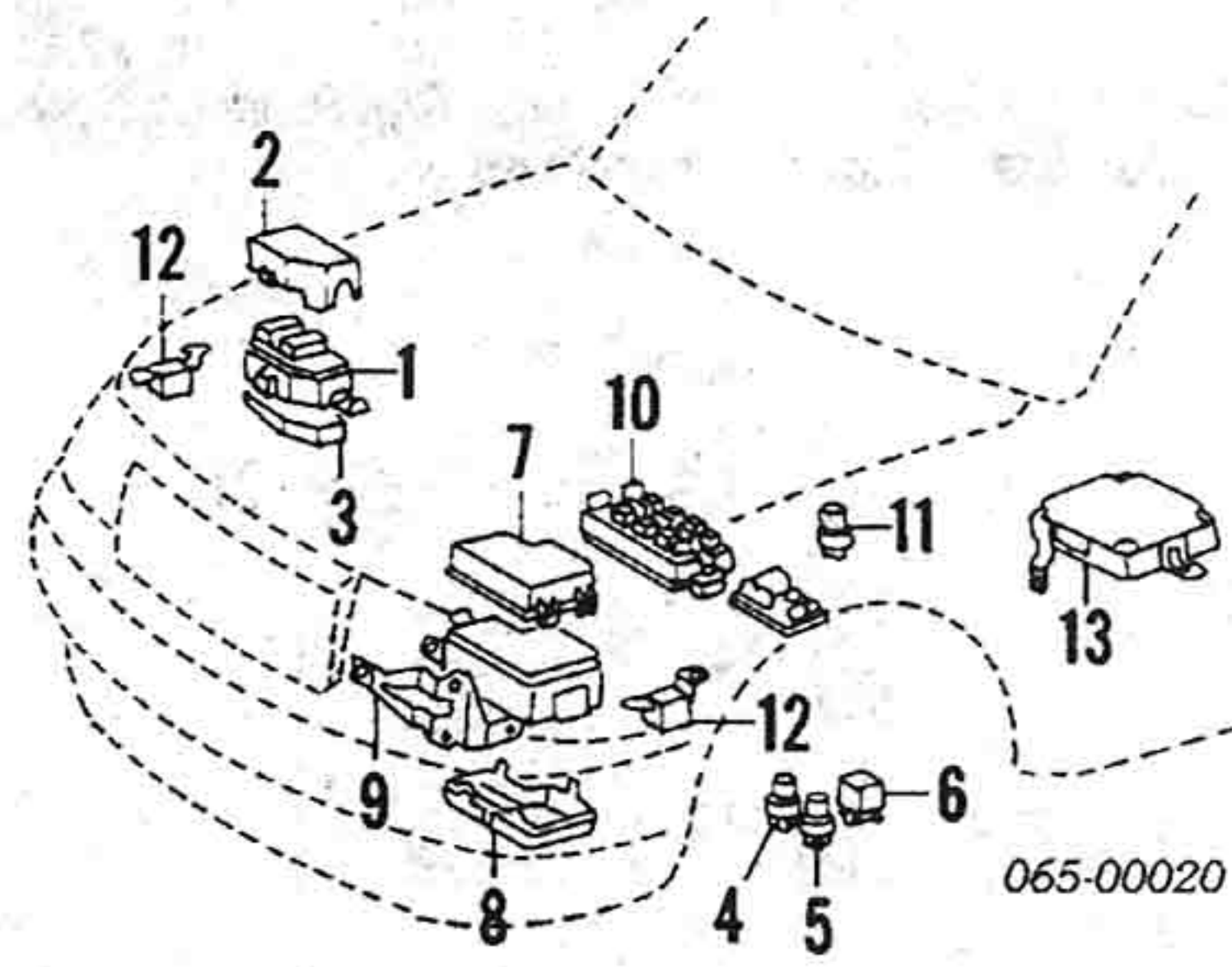
SECTION



1 Apron Assy			
1990-92			
w/Air Susp	R 53701-50035	s #8.5	605.10
	L 53702-50015	s #8.5	605.10
w/o Air Susp	R 53701-50035	s #8.5	605.10
	L 53702-50015	s #8.5	605.10
1993-94			

w/Air Susp	R 53701-50035	s #8.5	605.10
	L 53702-50015	s #8.5	605.10
w/o Air Susp	R 53701-50035	s #8.5	605.10
	L 53702-50015	s #8.5	605.10
#w/Necessary Bolted Parts & Assemblies Removed, w/Front Side Panel Removed Deduct 1.0			
2 Panel, Apron	R 53711-50011	s #5.0	64.41
	L 53712-50900	s #5.0	58.94
#w/Necessary Bolted Parts & Assemblies Removed, w/Front Side Panel Removed Deduct 1.0, w/Reinforcement Removed Deduct .5			
3 Reinf, Apron Upper	90-92 R 53731-50901	s #3.0	76.21
	L 53732-50901	s #3.0	76.21
	93-94 R 53731-50901	s #3.0	76.21
	L 53732-50901	s #3.0	76.21
4 Reinf, Apron Lower	R 53735-50902	s #3.0	47.25
	L 53736-50902	s #3.0	47.25
¶Included w/Apron Assy			
#R&R One Side Complete			
5 Unirail Assy			
To 12-92	R 57101-50913	s #7.5	537.88
	L 57102-50910	s #7.5	537.88
From 12-92	R 57101-50913	s #7.5	537.88
	L 57102-50910	s #7.5	537.88
#w/Necessary Bolted Parts & Assemblies Removed, w/Apron Assy Removed Deduct 3.0, Does Not Include R&R Torque Box			
6 Unirail, Side	R 57111-50012	s #7.5	313.91
	L 57112-50011	s #7.5	371.41
7 Plate, Reinforcement	R 57115-50012	s #7.5	122.63
	L 57116-50012	s #7.5	121.44
¶Included w/Unirail Assy			
#R&R One Side Complete, w/Necessary Bolted Parts & Assemblies Removed, w/Apron Removed 4.5			
8 Extension, Unirail	R 57016-50010	s	50.40
	L 57017-50010	s	50.40
9 Reinforcement, Rear	R 57043-50010	s	78.71
	L 57044-50010	s	78.71
10 Box, Torque	R 57197-50011	s	121.43
	L 57198-50011	s	121.43
¶Included w/Unirail Assy			
11 Bracket, Strut Bar	R 57107-50010	s	114.77
	L 57108-50010	s	114.77
Insulator, Battery	90-92 28870-50010		64.02
	93-94 28870-50040		46.93
Plate, Battery Caution			
-See Information Labels Section			
Tray, Battery	74410-50010		95.87
Plate, Hold Down	74404-50010		15.84

**ELECTRICAL COMPONENTS**



065-00020

1 Block, Relay	90-92 82660-50010	m	20.40
	93-94 82660-50011	m	19.58
2 Cover, Relay Upper	82662-50010	m	33.73
3 Cover, Relay Lower	82663-50020	m	5.80
4 Relay, Left Fan	90987-02004-83	m .2	11.26
5 Relay, Right Fan	90987-03001-83	m .2	17.51
6 Relay, Fan Comb	90987-04002-83	m .2	22.06
7 Cover, Relay Upper	82662-50020	m	6.56
8 Cover, Relay Lower	82663-50020	m	5.80
9 Bracket, Relay	85999-50030	m	16.19
10 Block, Junction	82671-50020	m	84.43
11 Relay, Fan	90987-02004-83	m .2	11.26
12 Sensor, Air Bag-See Air Bag System Section			
13 Sensor Assy, Center-See Air Bag System Section			

**AIR BAG SYSTEM**

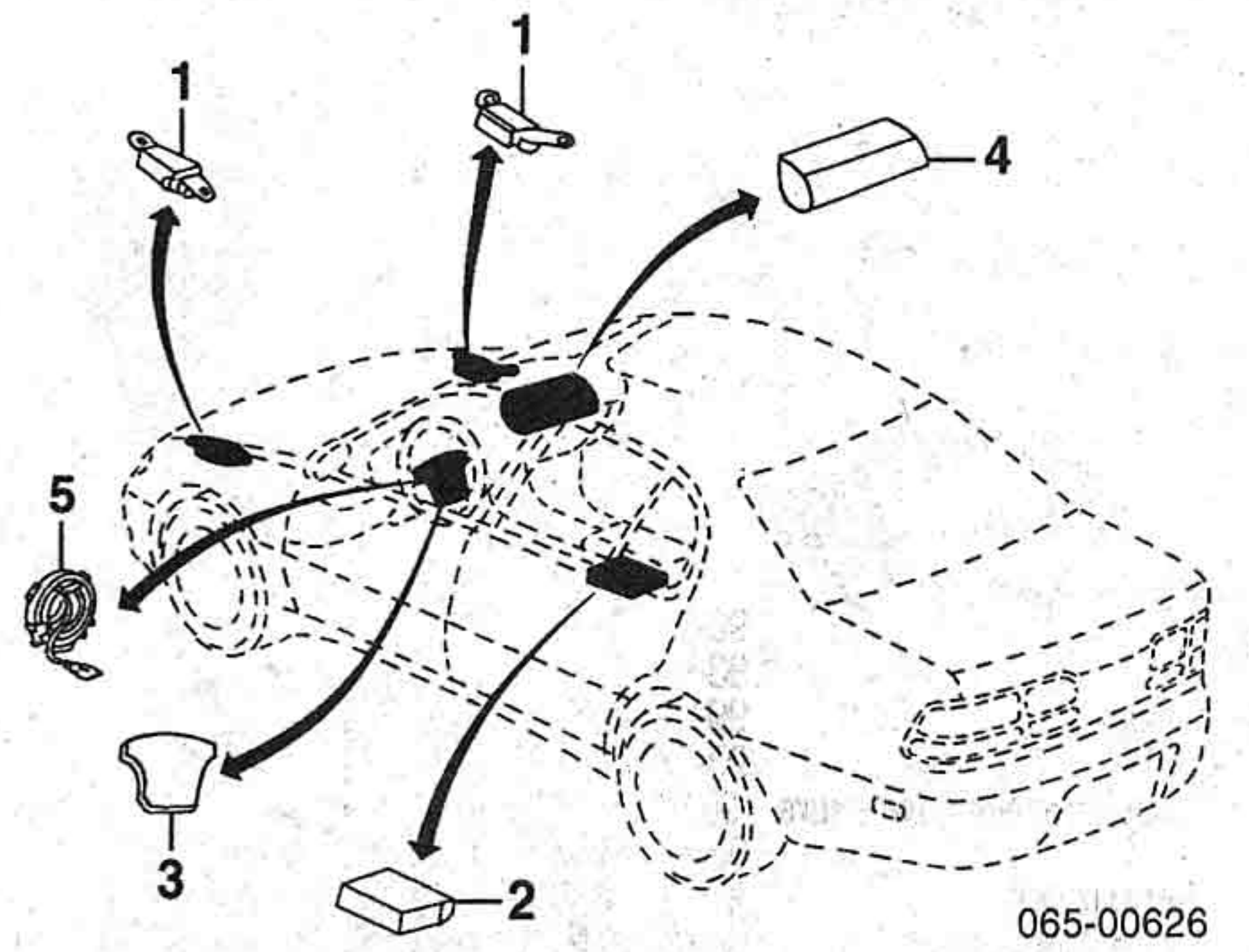
Disable & Enable Air Bag System	m	.3
Diagnose Air Bag System (If Required)	m	.5

NOTE 1: R&R Does Not include disable and enable or diagnose Air Bag System.

NOTE 2: Refer to Procedure Explanation 30 for Supplemental Restraint/Air Bag Systems Component Inspection and Replacement information.

Illustration Located in Next Column

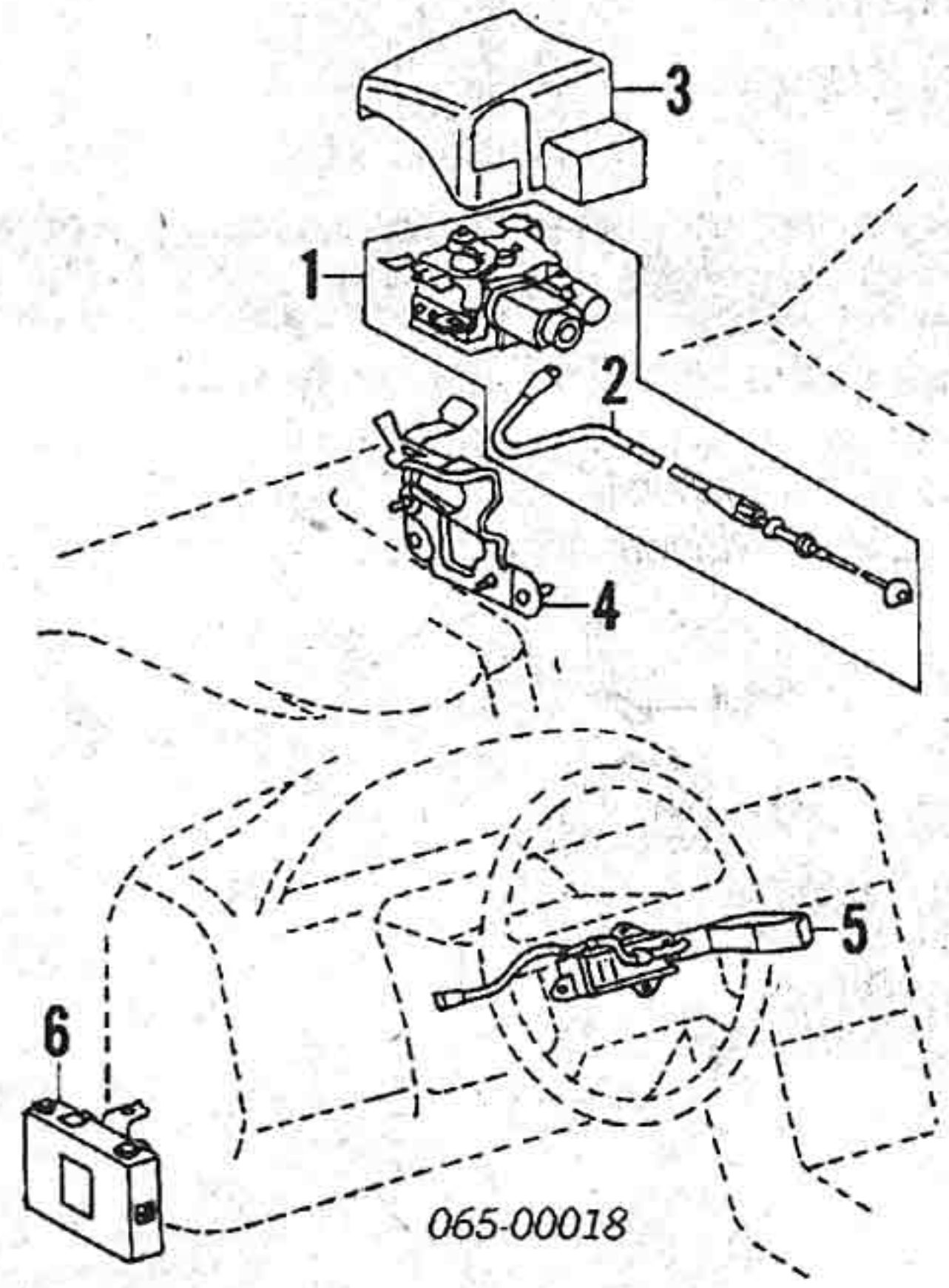
1 Sensor, Air Bag	90-92 R 89173-59016	m #8	87.30
	L 89173-59026	m #8	87.30
	93-94 R 89173-59035	m #8	79.35
	L 89173-59045	m #8	79.35
#R&R Both Sides 1.4, w/Fender Splash Shield Removed Deduct .6 Each Side			
2 Control Unit, Air Bag	90-92 89170-50011	m 5.0	1015.70
	93-94 89170-50020	m 5.0	923.03
Module, Air Bag			



065-00626

3 Driver Side				
Black	45130-50070-C0	m	.3	613.90
Dark Blue	90-92 45130-50011-03	m	.3	675.88
	93-94 45130-50070-J0	m	.3	613.90
Dark Rose	45130-50011-06	m	.3	675.88
Deep Red	45130-50011-03	m	.3	675.88
Greige	45130-50011-05	m	.3	675.88
Oak	45130-50070-E0	m	.3	613.90
Shadow Gray	90-92 45130-50011-03	m	.3	675.88
	93-94 45130-50070-B0	m	.3	613.90
	45130-50070-K0	m	.3	613.90
Taupe				
4 Passenger Side				
Black	73970-50011-C0	m	.7	889.20
Dark Blue	73970-50011-J0	m	.7	889.20
Oak	73970-50011-E0	m	.7	889.20
Shadow Gray	73970-50011-B0	m	.7	889.20
Taupe	73970-50011-K0	m	.7	889.20
5 Cable, Spiral				
1990-92				
To 1-90	84306-50010	m 1.3	264.16	
From 1-90	84306-50070	m 1.3	264.16	
1993-94	84306-50080	m 1.3	240.03	
¶Included w/Combination Switch-listed in Steering Wheel/Column Section				

**CRUISE CONTROL SYSTEM**



065-00018

1 Actuator Assy	90 88002-50011	m	.5	1779.82
	91-92 88002-50030	m	.5	1622.54
	93-94 88002-50030	m	.5	1622.54
2 Cable, Cruise Control	53731-50901	m	.3	76.21
¶Included w/Actuator Assy				
3 Cover, Actuator	88212-50010	m	.2	24.14
4 Bracket, Actuator	88291-50010	m		20.55
5 Switch, Cruise Control	90-92 84630-50010	m	.5	134.70
	93-94 84630-50020	m	.5	122.49
6 Computer, Speed Control	90 88240-50010	m	1.0	743.17
	91-94 88240-50040	m	1.0	670.52

**ABS/BRAKES**

Bleed System	m	.3
--------------	---	----

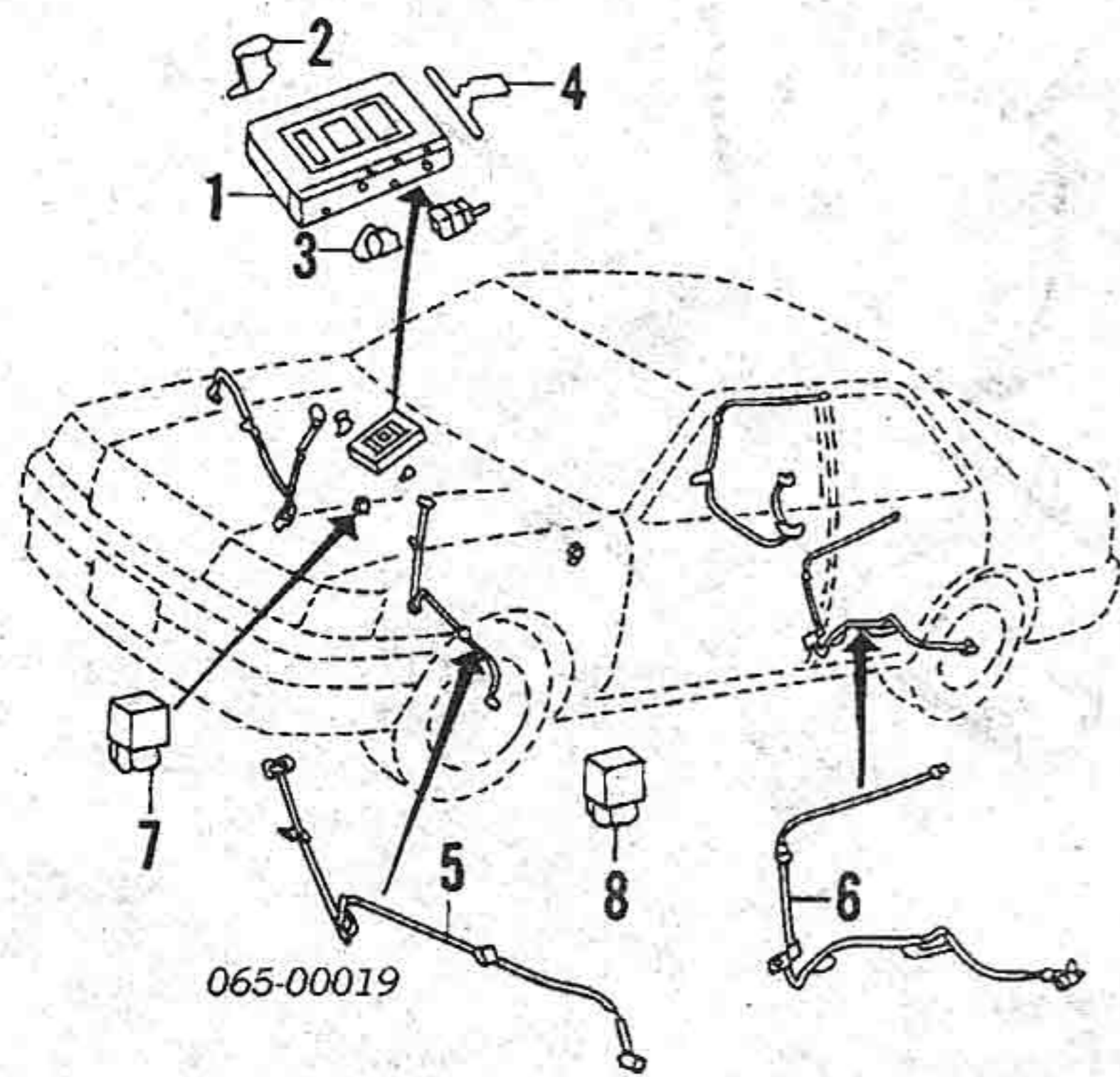
NOTE: R&R Does Not include bleed system.

Illustration Located in Next Column

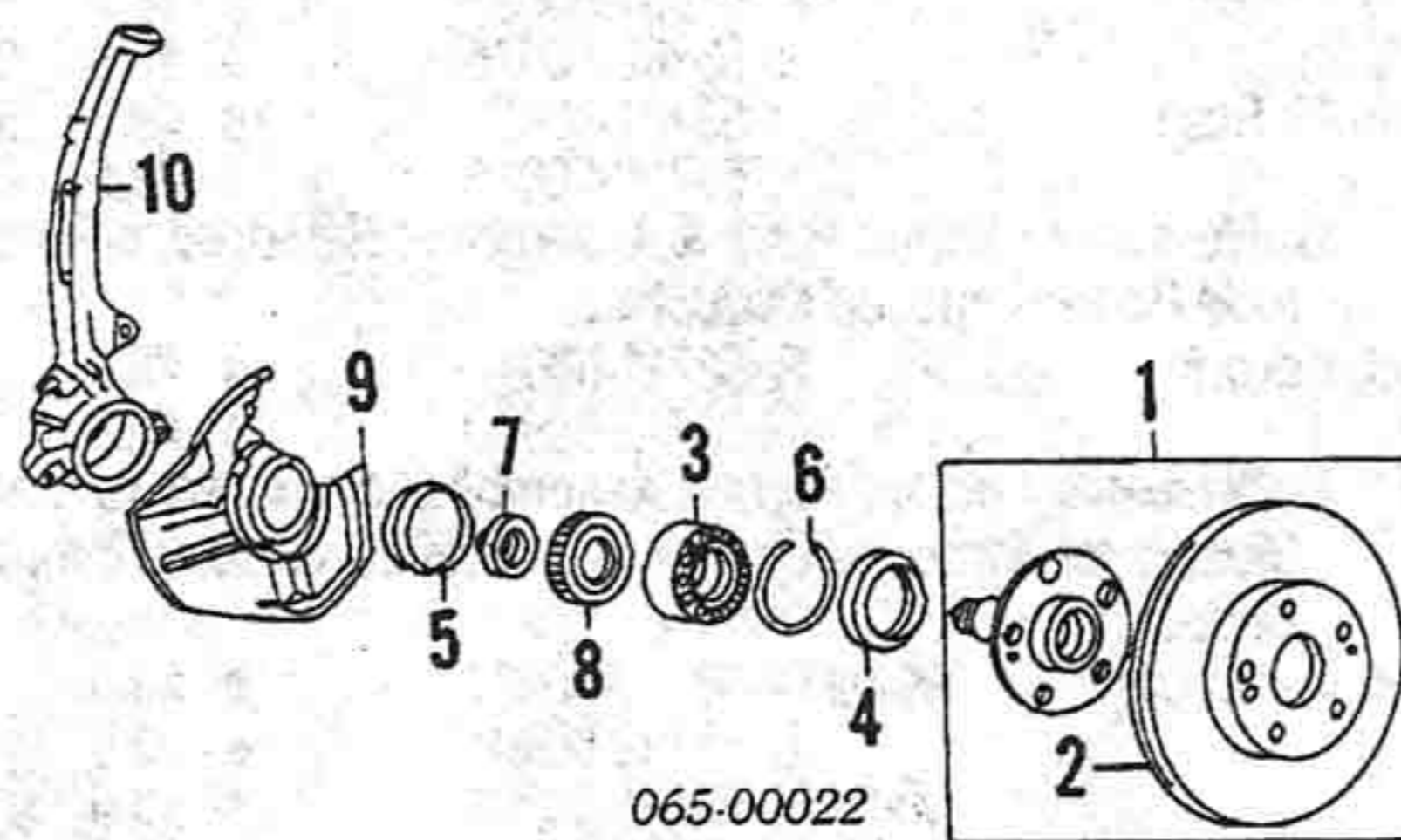
1 Module, ABS				
w/Traction Control	90-92 89541-50031	m	.8	1088.61
	93-94 89541-50060	m	.8	1036.42
w/o Traction Control	90 89541-50020	m	.8	545.49
	91-92 89541-50020	m	.8	545.49
	93-94 89541-50050	m	.8	519.41
2 Brkt, Module Side Right				
w/Traction Control	88269-50030	m	#2	11.15
w/o Traction Control	88269-50010	m	#2	6.24

# LEXUS LS 400 1990-94

## ABS/BRAKES Cont'd

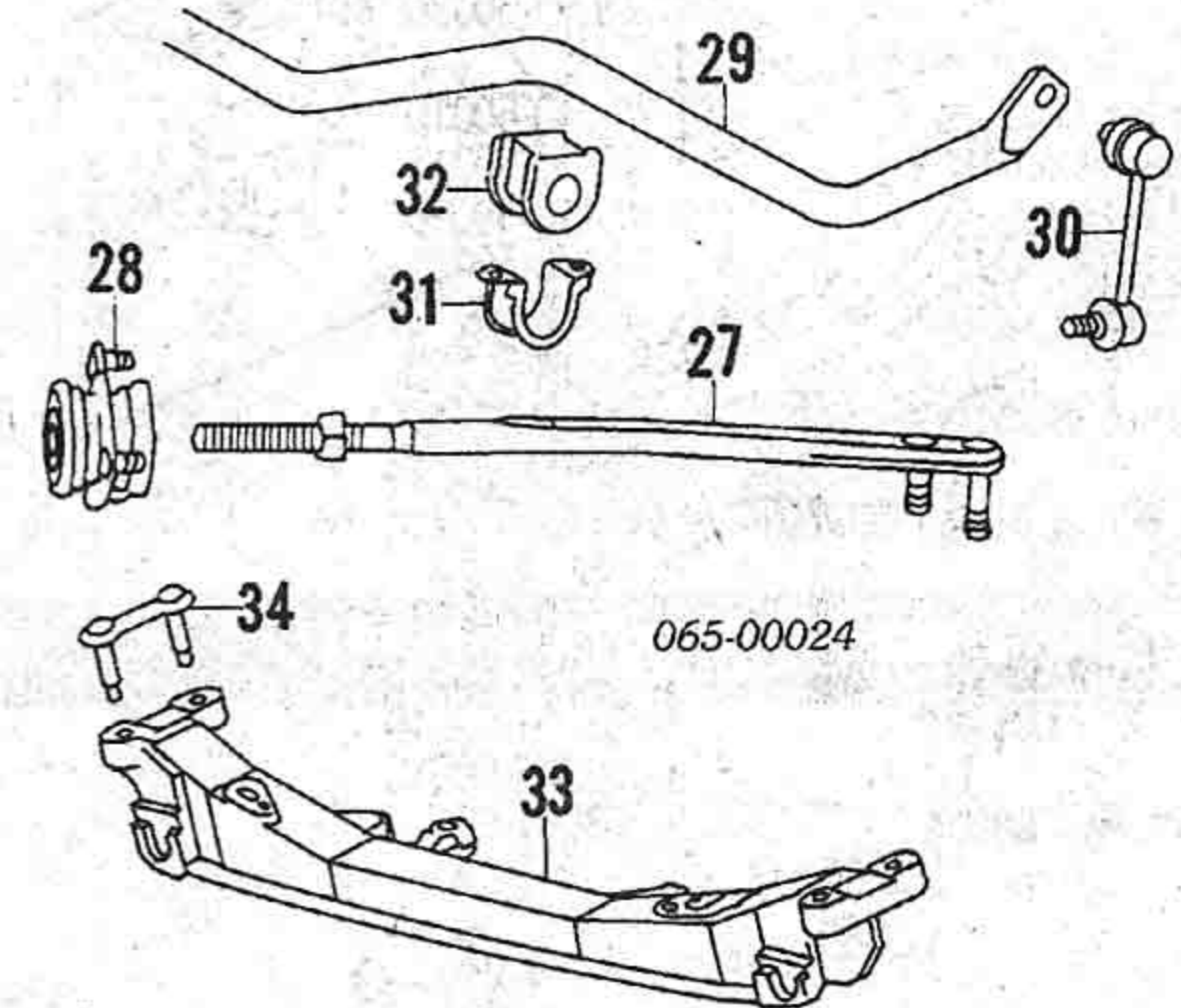


<b>3 Brkt, Module Side Left</b> w/Traction Control w/o Traction Control	88267-50030 88267-50010	m #2 m #2	8.48 6.04
<b>4 Brkt, Module Side Rear</b> w/Traction Control w/o Traction Control	88268-50030 88268-50010	m #2 m #2	6.04 7.27
<b>#w/Control Unit Removed</b>			
<b>Actuator, ABS</b> w/Traction Control 90-92 93-94 w/o Traction Control 90-92 93-94	44510-50020 44510-50040 44510-50010 44510-50030 89542-50010 89543-50010	m 1.4 m 1.4 m 1.0 m 1.0 m #1.0 m #1.0	1662.24 1511.68 1662.24 1511.68 148.16 148.16
<b>#R&amp;R Both Sides 1.8</b>			
<b>6 Sensor, ABS Rear</b> 90-92 L 89546-50010 93-94 L 89545-50020	89545-50010 89546-50010 89545-50020 89546-50020	m #7 m #7 m #7 m #7	148.16 148.16 134.73 134.73
<b>#R&amp;R Both Sides 1.2</b>			
<b>7 Relay, Traction Control</b> Motor Throttle	89633-50020 89633-50060	m .5 m .5	53.19 53.19
<b>#Order by Application</b>			
<b>8 Relay, Skid Cont Solenoid</b> 90-92 93-94	88263-14120 88263-35070	m .5 m .5	59.94 43.79
<b>Relay, Skid Cont Motor</b> 90-92 93-94	88263-14110 89633-50030	m .3 m .3	59.94 80.87



<b>1 Hub &amp; Disc Assy</b> 90 R/L 91-92 R/L 93-94 R/L	43510-50040 43510-50060 43510-50120	m #2.1 m #2.1 m #2.1	478.00 478.00 435.72
<b>#R&amp;R Both Sides 4.0, Includes R&amp;R Rotor &amp; Steering Knuckle</b>			
<b>2 Rotor, Brake</b> 90 R/L 91-92 R/L 93 R/L 94 R/L	43512-50040 43512-50060 43512-50100 43512-50100	m #6 m #6 m #6 m #6	149.45 131.20 140.83 140.83
<b>#R&amp;R Both Sides 1.0</b>			
<b>Bolt, Hub</b> (5/Side) #Included w/Hub & Disc Assy	R/L 90942-02049	m .8	2.98
<b>3 Bearing, Hub</b>	R/L 90903-63006-77	m #2.1	72.21
<b>4 Seal, Bearing</b> 90-92 R/L 93-94 R/L	90311-50008 90311-50016	m #2.1 m #2.1	7.43 11.09
<b>5 Cap, Seal</b>	R/L 43514-50010	m #2.1	8.05
<b>6 Ring, Snap</b>	R/L 90521-82001	m #2.1	1.84
<b>7 Nut, Steering Knuckle</b>	R/L 90179-24005	m #2.1	1.84
<b>8 Rotor, ABS Sensor</b> #R&R One Side Complete, Includes R&R Hub & Disc Assy, Brake Rotor & Knuckle	R/L 43515-50010	m #2.1	15.27
<b>Caliper, Brake</b> 90 R L 91-92 R/L L 93-94 R L	47730-50010 47750-50010 47730-50031 47750-50031 47730-50063 47750-50063	m #5 m #5 m #5 m #5 m #5 m #5	266.46 266.46 413.50 413.50 348.27 348.27
<b>#R&amp;R Both Sides .8, w/Rotor Removed Deduct .3</b>			
<b>Hose, Brake</b> 90-92 R/L 93-94 R/L	90947-02738 90947-02738	m #3 m #3	35.71 35.71
<b>#w/Caliper Removed Deduct .2</b>			
<b>9 Shield, Splash</b> 90-92 R L 93-94 R L	47781-50011 47782-50011 47781-50021 47782-50021	m #2.1 m #2.1 m #2.1 m #2.1	27.00 27.08 27.28 27.28
<b>10 Knuckle, Steering</b> 90-92 R L 93-94 R L	43211-50050 43212-50050 43211-50050 43212-50050	m #2.1 m #2.1 m #2.1 m #2.1	282.30 282.30 282.30 282.30
<b>#R&amp;R One Side Complete, Includes R&amp;R Bearings, Seals, Hub &amp; Disc Assy, Rotor &amp; Splash Shield</b>			

<b>24 Ball Joint</b> #w/Air Susp Add .1, w/Knuckle Removed .6 90-92 R L 93-94 R L	48069-50010 43330-59016 43340-59016 43330-59026 43340-59026	m #2.6 m #9 m #9 m #9 m #9	221.17 106.40 106.40 96.71 96.71
<b>#Included w/Lower Arm Assy</b>			
<b>#R&amp;R Both Sides 1.6</b>			
<b>25 Cam, Camber Adj Front</b>	R/L 48198-50020	m IOH	7.36
<b>26 Cam, Camber Adj Rear</b>	R/L 48190-50020	m IOH	13.04



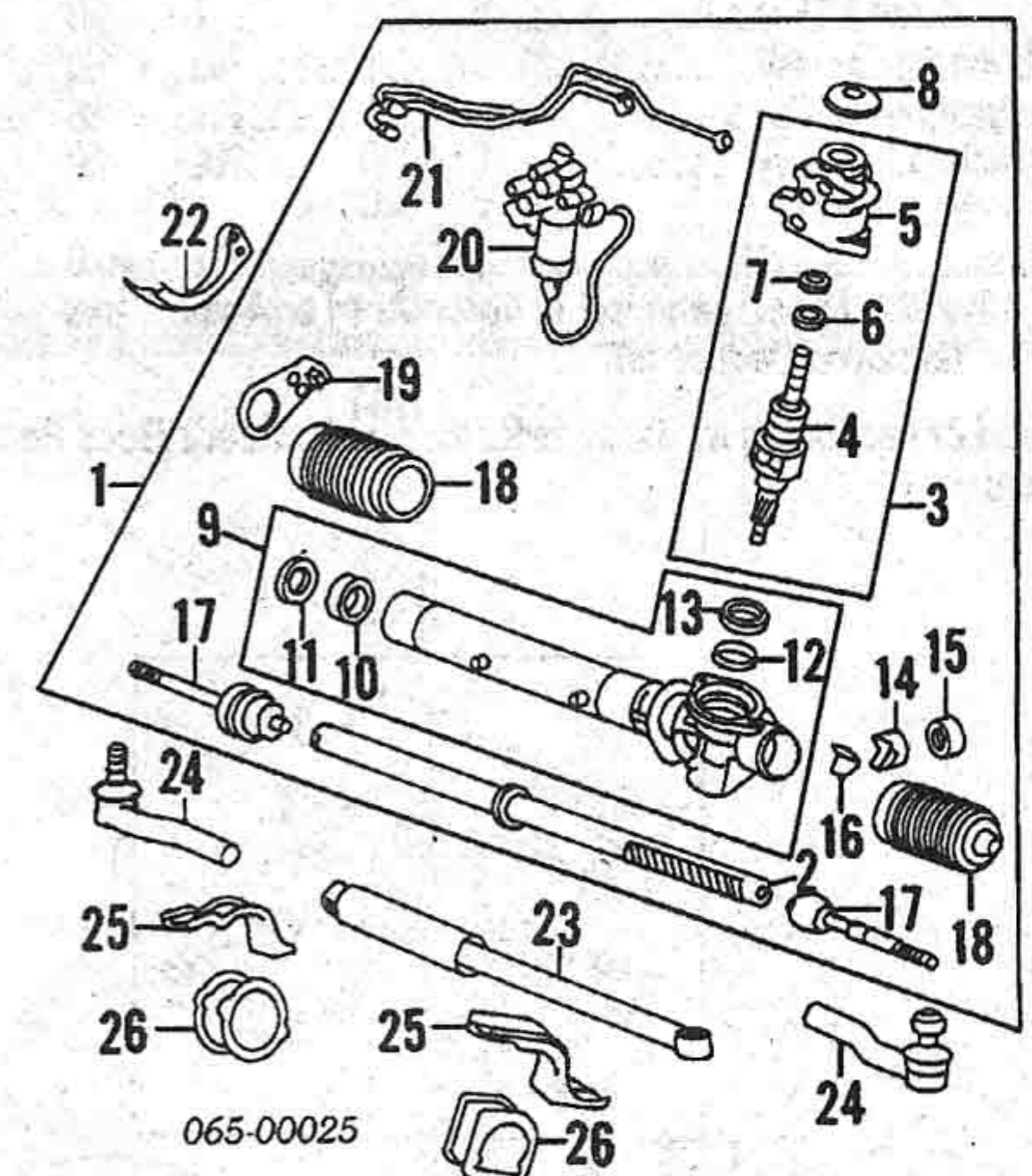
<b>27 Bar, Strut</b> 90-92 R L 93-94 R L	48660-50010 48670-50010 48660-50030 48670-50030	m #1.1 m #1.1 m #1.1 m #1.1	67.47 67.47 61.23 61.23
<b>28 Cushion, Strut Bar</b> #R&R One Side Complete, w/Lower Arm Removed .3	R/L 48674-50030	m #1.1	117.92
<b>29 Bar, Stabilizer</b>	48811-50030	m #1.4	153.60
<b>30 Link, Stabilizer</b> R L	48810-50011 48820-50011	m #1.4 m #1.4	70.36 70.36
<b>31 Bracket, Stabilizer</b>	R/L 48824-50020	m #1.4	15.16
<b>32 Bushing, Stabilizer</b> #R&R Complete, Not Included in O/H, Deduct .2 for Each Lower Arm Removed	R/L 48815-50122	m #1.4	12.55
<b>33 Crossmember, Susp</b> #Not Included in O/H	51211-50010	m #3.0	294.98
<b>34 Bolt, Susp Mtg</b>	R/L 51229-50011	m	27.55

## FRONT STEERING LINKAGE/GEAR

R&I Steering Gear	m 2.2
O/H Steering Gear (Includes R&I)	m 4.7

NOTE 1: R&I/R&R or O/H Does Not include adjust wheel alignment.

NOTE 2: All Parts in this section are included in overhaul unless noted otherwise.

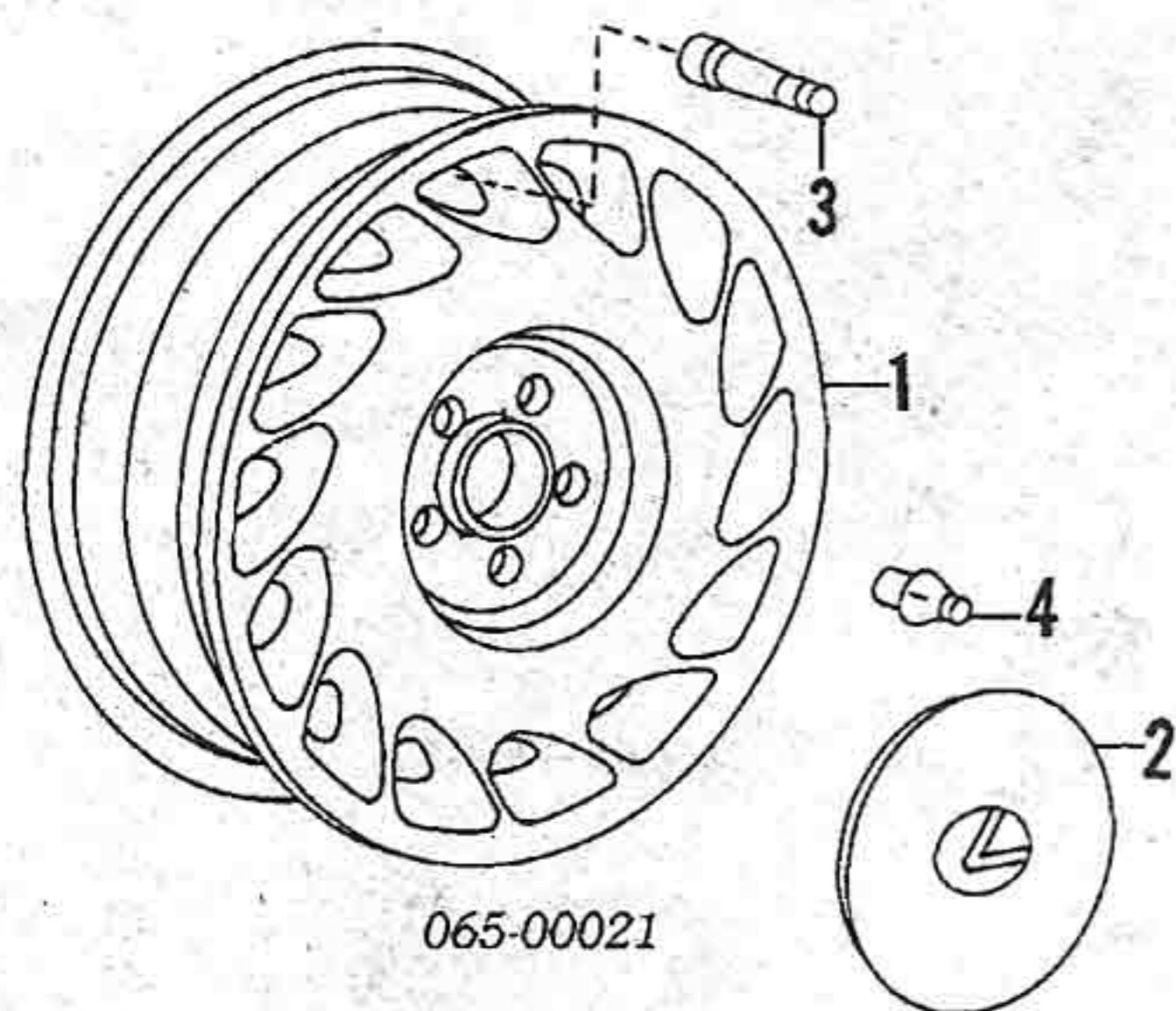


<b>1 Gear Assy</b> 90-92 93-94	44250-50010 44250-50050	m #3.0 m #3.0	1631.76 1391.37
<b>#Includes R&amp;R Steering Damper &amp; Tie Rod Ends</b>			
<b>2 Rack</b>	44204-50040	m 4.5	271.53
<b>3 Pinion &amp; Valve Assy</b> 90-92 93-94	44210-50010 44210-50050	m 4.5 m 4.5	887.32 906.18
<b>4 Pinion</b> (a) 90-92 93-94	44201-50010 44201-50050	m #4.7 m #4.7	650.80 647.29
<b>5 Housing, Valve</b> (a) 90-92	44211-50010	m #4.7	224.66
<b>6 Bearing</b> (a) 90-92	90363-19002	m #4.7	48.93
<b>7 Seal, Bearing</b> (a) 90-92	90311-19006	m #4.7	3.97
<b>(a) Included w/Pinion &amp; Valve Assy</b>			
<b>8 Cover, Dust</b>	45222-50010	m #4.7	8.11
<b>9 Housing Assy</b> 90-92 93-94	44203-50030 44203-50030	m #4.7 m #4.7	542.32 542.32
<b>10 Seal, Housing</b> (a) 90-92	90310-26016	m #4.7	3.97
<b>11 Spacer, Seal</b> (a) 90-92	90560-27012	m #4.7	9.71
<b>12 Bearing, Valve</b> (a) 90-92	90363-19002	m #4.7	48.93
<b>13 Seal, Bearing</b> (a) 90-92	90310-30013	m #4.7	3.91
<b>(a) Included w/Housing Assy</b>			
<b>#R&amp;R Complete</b>			
<b>14 Guide, Rack</b>	45523-20020	m #3.4	16.15
<b>15 Cap, Rack Guide</b>	45524-16010	m #3.4	8.22
<b>16 Seat, Rack Guide</b> #R&R Complete	44277-20020	m #3.4	5.60
<b>17 Rod, Tie</b>	R 45504-59015	m #2.8	139.27

## WHEEL

Use Procedure Explanation 10 with the following text.

Add to R&I Spare Wheel & Tire Assy..... 2



<b>1 Wheel</b> 15x6-1/2JJ" R L	42611-50240 42611-50250	.3 .3	430.33 417.46
<b>2 Ornament, Center</b> 90-92 93-94	42611-50100 42603-50010 42603-50030	.3 38.06 54.93	340.52 38.06 54.93
<b>3 Stem, Valve</b>	90942-05009		7.75
<b>4 Nut, Lug</b> 90 91-94	90942-01080 90942-01062		7.10 5.45

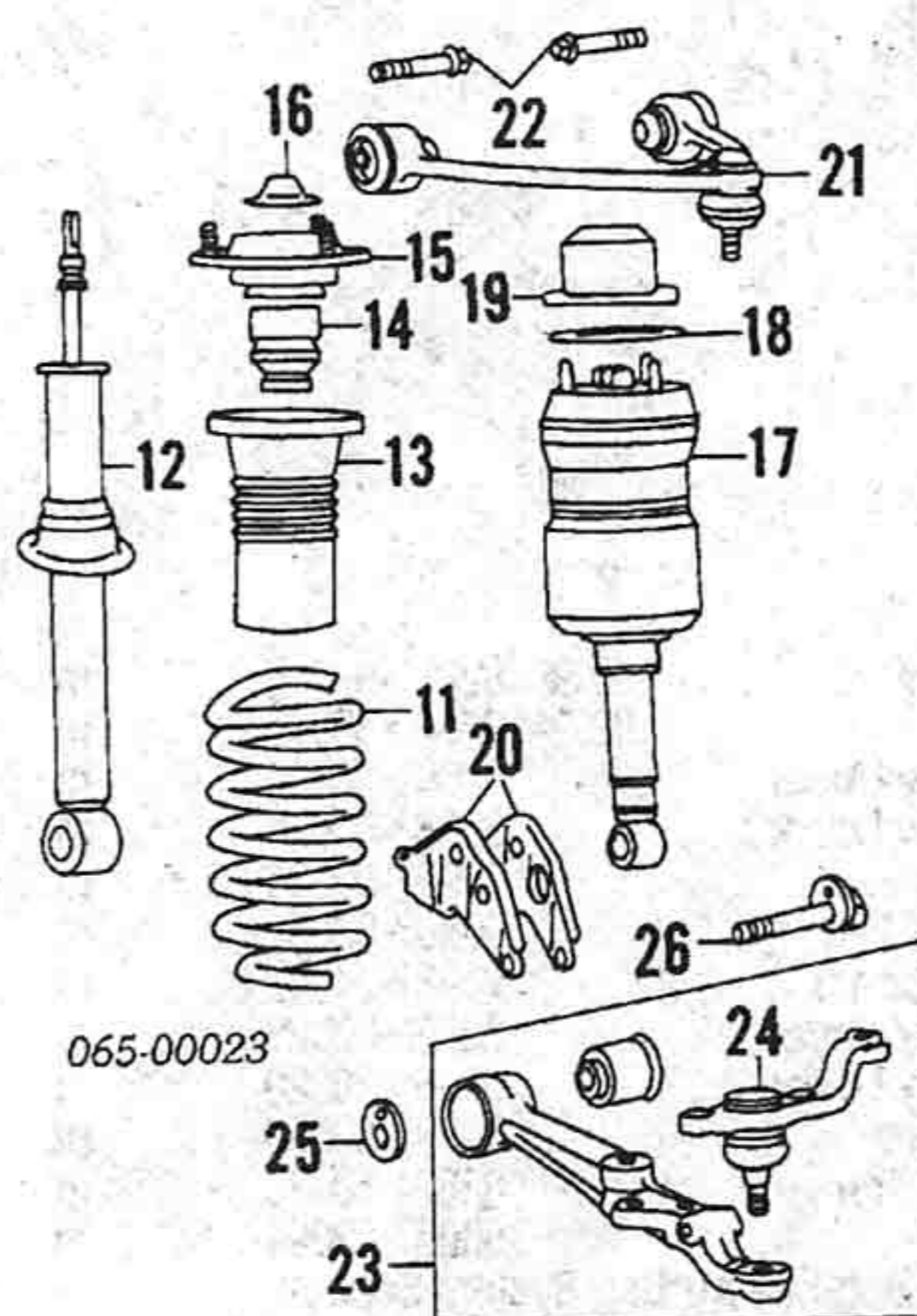
## FRONT SUSPENSION

Use Procedure Explanation 11 with the following text.

R&I Suspension (One Side)	R/Lm 2.5
O/H Suspension (Includes R&I)	
One Side	R/Lm 3.6
Both Sides	m 6.8
Adjust Four Wheel Alignment	m 3.1
Adjust Front Alignment	m 2.2
Bleed Brake System	m .3

NOTE 1: R&I/R&R or O/H Does Not include alignment or bleed brake system.

NOTE 2: All Parts in this section are included in overhaul unless noted otherwise.



<b>11 Spring, Coil</b> 90-92 R/L 93-94 R/L	48131-50010 48131-50050	m #1.1 m #1.1	102.37 94.75
<b>12 Absorber, Shock</b> Standard	R/L 48510-59016	m #1.1	56.75
<b>13 Insulator, Spring</b>	R/L 48157-50010	m #1.1	31.82
<b>14 Bumper, Spring</b> 90-92 R/L 93-94 R/L	48331-50010 48331-50030	m #1.1 m #1.1	17.63 17.63
<b>15 Mount, Upper</b>	R/L 48680-50040	m #1.1	101.47
<b>16 Cap, Mount</b> #R&R Complete, R&R Both Sides 2.0, w/Lower Arm Assy Removed .3	R/L 90950-01659	m #1.1	4.43
<b>17 Absorber, Shock</b> Pneumatic	90-92 R/L 48010-50010 93-94 R/L 48010-50070	m #9 m #9	969.65 880.67
<b>18 Support, Cylinder</b>	R/L 90950-01659	m #9	4.43
<b>19 Cap, Mount</b> #R&R One Side Complete, R&R Both Sides 1.6, w/Lower Arm Assy Removed .3	R/L 48553-50090	m #9	29.14
<b>20 Brkt, Shock Absorber</b> R L	48514-50011 48515-50011	m IOH m IOH	30.37 30.37
<b>21 Arm, Upper</b> R L	48610-50020 48630-50020	m #2.2 m #2.2	376.79 376.79
<b>22 Bolt, Upper Arm</b> #R&R One Side Complete, R&R Both Sides 4.2, w/Knuckle Removed .5	R/L 90105-12173	m #2.2	3.85
<b>23 Arm Assy, Lower</b> 90-92 R L 93-94 R	48630-50020 48069-50010 48068-50010	m #2.6 m #2.6 m #2.6	376.79 221.17 221.17

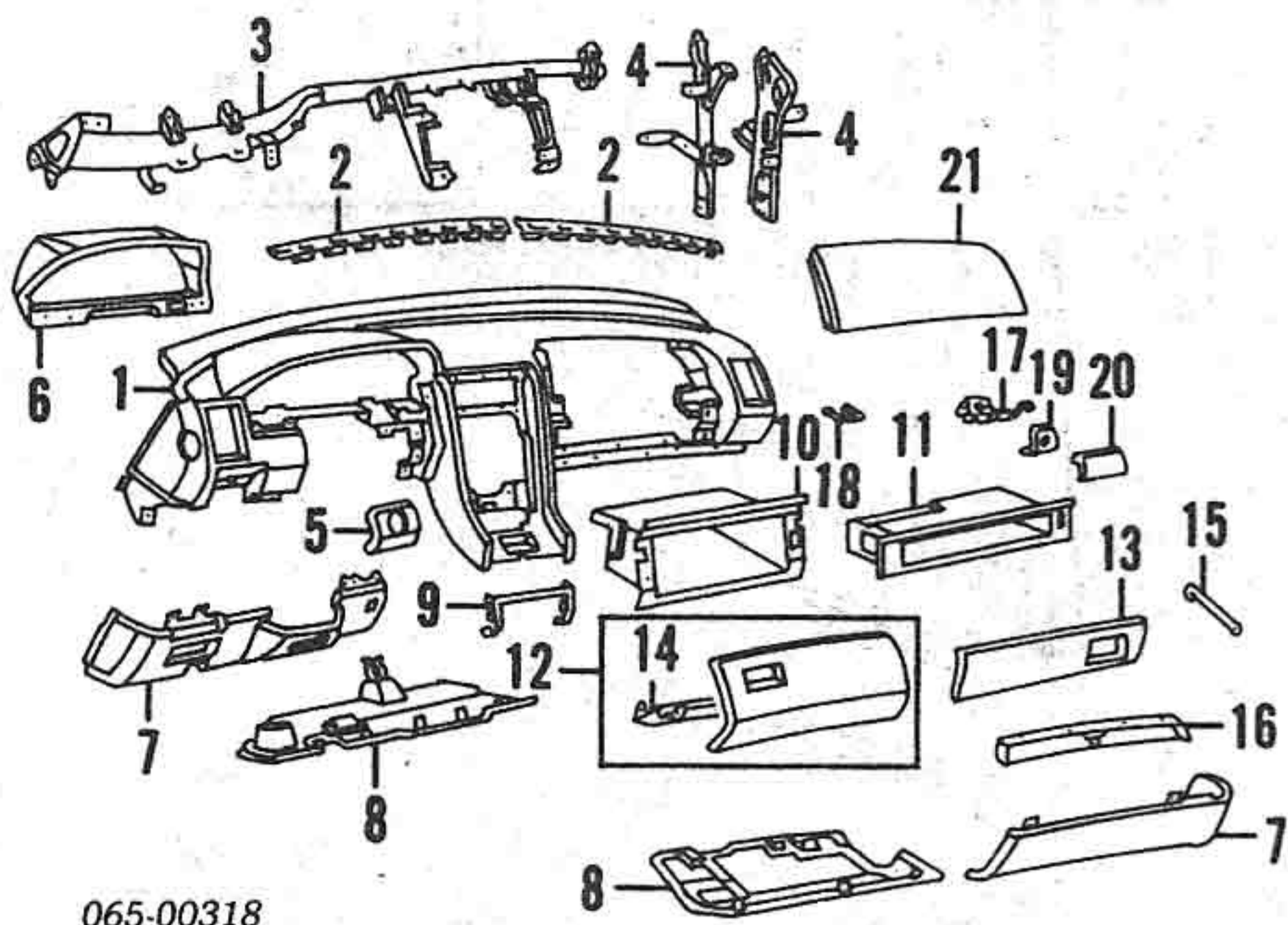




**INSTRUMENT PANEL**

Use Procedure Explanation 14 with the following text.

NOTE: All Parts in this section are included in R&R Instrument Panel unless noted otherwise.



1 Panel w/Pad, Inst¶	90-92 55401-50010-04	m	5.5	834.54
	93-94 55401-50030-J0	m	6.5	759.80
2 Garnish, Defroster¶	90-92 R 55981-50010-04			45.45
	L 55982-50010-04			45.45
	93-94 R 55981-50030-J0			41.97
	L 55982-50030-J0			47.96
	¶Blue listed, Order by Application			
3 Reinf, Inst Panel	90-92 55330-50010	#	8	310.00
	93-94 55330-50030	#	8	293.19
4 Brace, Inst Panel	90-92 R 55307-50011	#	3	44.45
	L 55308-50010	#	3	20.90
	93-94 R 55307-50030	#	3	40.27
	L 55308-50010	#	3	20.90
	#w/Instrument Panel Removed, Not Included in R&R Instrument Panel			
5 Pad, Cylinder¶	90-92 55408-50011-W3			43.74
	93-94 55408-50011-W3			43.74
	¶Blue listed, Order by Application			
6 Panel, Cluster Finish	92 55404-50010	.	6	209.88
	93-94 55404-50060	.	6	84.10
7 Panel, Lower¶	90-92 R 55402-50010-04	.	8	314.50
	L 55403-50010-W4	.	8	361.22
	93-94 R 55402-50030-J0	.	8	348.77
	L 55403-50010-W4	.	8	361.22
8 Cover, Under¶	90-92 R 55606-50011-04	.	4	77.00
	L 55607-50010-04	.	4	105.33
	93-94 R 55606-50030-J0	.	4	109.51
	L 55607-50040-J0	.	4	87.14
	¶Blue listed, Order by Application			
9 Panel, Switch Hole (a)	55407-50010			73.83
	(a) Order by Application			
Box, Glove				
10 1990-92	55506-50010	.	5	115.45
11 1993-94	55506-50030	.	6	111.60
Door Assy, Glove Box¶				
12 1990-92	55550-50010-04	#	8	160.93
13 1993-94	55503-50010-J0	#	8	104.62
	¶Blue listed, Order by Application			
14 Hinge, Glove Box (a)	55505-50010	#	8	42.36
	(a) Included w/Glove Box Door Assy			
	#R&R Complete			
15 Arm, Glove Box¶	55556-50040			5.69
	¶Order by Application			
16 Plate, Glove Box	90-92 55512-50010			29.96
17 Latch, Glove Box	90-92 55560-50010			40.59
	93-94 55560-50020			38.12
18 Striker, Latch	90-92 55590-50011			13.21
19 Handle, Door Latch¶	90-92 55565-50010-04			6.21
	93-94 55565-50010-W3			6.18
20 Cover, Door Latch¶	90-92 55569-50010-04			5.36
	93-94 55569-50010-W3			5.33
	¶Blue listed, Order by Application			
21 Module, Air Bag-See Air Bag System Section				
Speaker, Radio				
Pioneer Brand	90-92 R 86160-50030	#	7	124.71
	L 86160-50040	#	7	124.71
	93-94 R 86160-50080	#	7	50.74
	L 86160-50090	#	7	50.74
Nakamichi Brand	R 86160-50050	#	7	155.76
	L 86160-50060	#	7	155.76
	#R&R Both Sides 1.2			
Wire, Cowl¶				
USA	82131-5A040			3516.77
Canada	N.A.			0.00
	¶Order by Application			

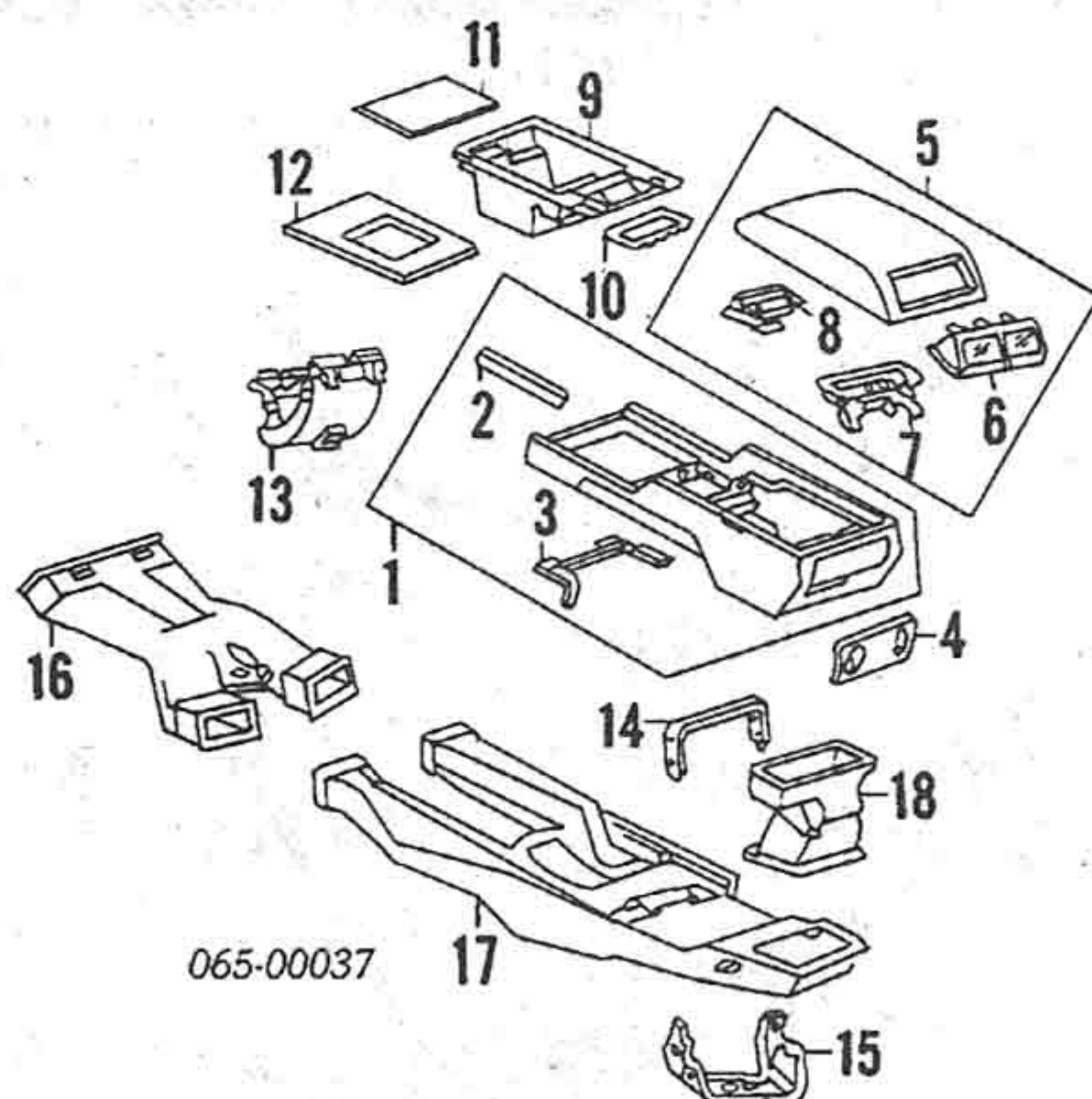
**CENTER CONSOLE**

Use Procedure Explanation 14 with the following text.

NOTE: All Parts in this section are included in R&R Console Box unless noted otherwise.

Illustration Located in Next Column

1 Box Assy, Console¶	58801-50011-W3	.	9	185.17
	¶Blue listed, Order by Application			
2 Cushion, Console Box (a)	58871-50010			.32
3 Bracket, Console Box (a)	58902-50010			12.60



	(a) Included w/Console Box Assy			
4 Panel, Rear End¶	58903-50010-W3			14.28
5 Door Assy, Console Box¶				
w/Std Seat	58905-50020-04			232.11
w/Leather Seats	58905-50010-04			265.08
6 Grille, Console Box¶ (a)	58860-50010-W4			44.77
	¶Blue listed, Order by Application			
7 Hinge, Door (a)	58907-50010			28.41
8 Latch, Door (a)	58908-50010			29.67
	(a) Included w/Console Box Door Assy			
9 Box, Console Rear Lower	58912-50010			62.18
10 Cover, Console Lower	58834-50010			19.17
11 Garnish, Console	58932-50010			3.09
12 Panel, Console Upper	58804-50010			454.83
13 Holder, Cup¶	55620-50012-W3			102.86
	¶Blue listed, Order by Application			
Bracket, Console Box Mtg				
14 Upper	90-91 58995-50011			10.09
	92-94 58995-50011			10.09
15 Lower	58996-50010			16.78
16 Duct, Lower Box Front	58861-50010	#	4	53.90
17 Duct, Lower Box Rear	58862-50010	#	4	59.49
18 Duct, Lower Box Upper¶	58086-50010	#	2	26.32
	¶Blue listed, Order by Application			
	#w/Console Box Removed			

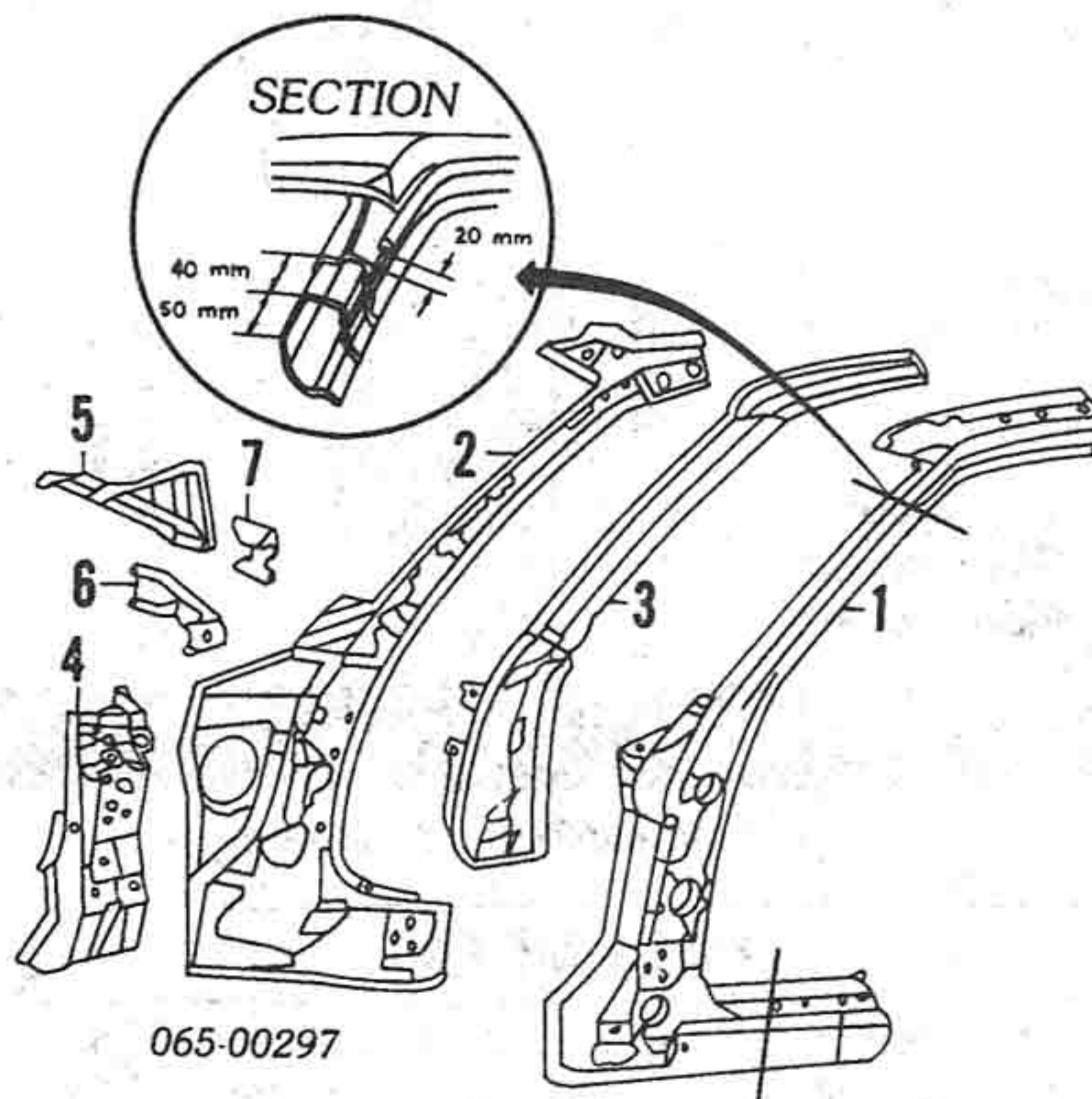
**ROCKER/PILLARS/FLOOR**

Use Procedure Explanations 14, 15 and 28 with the following text.

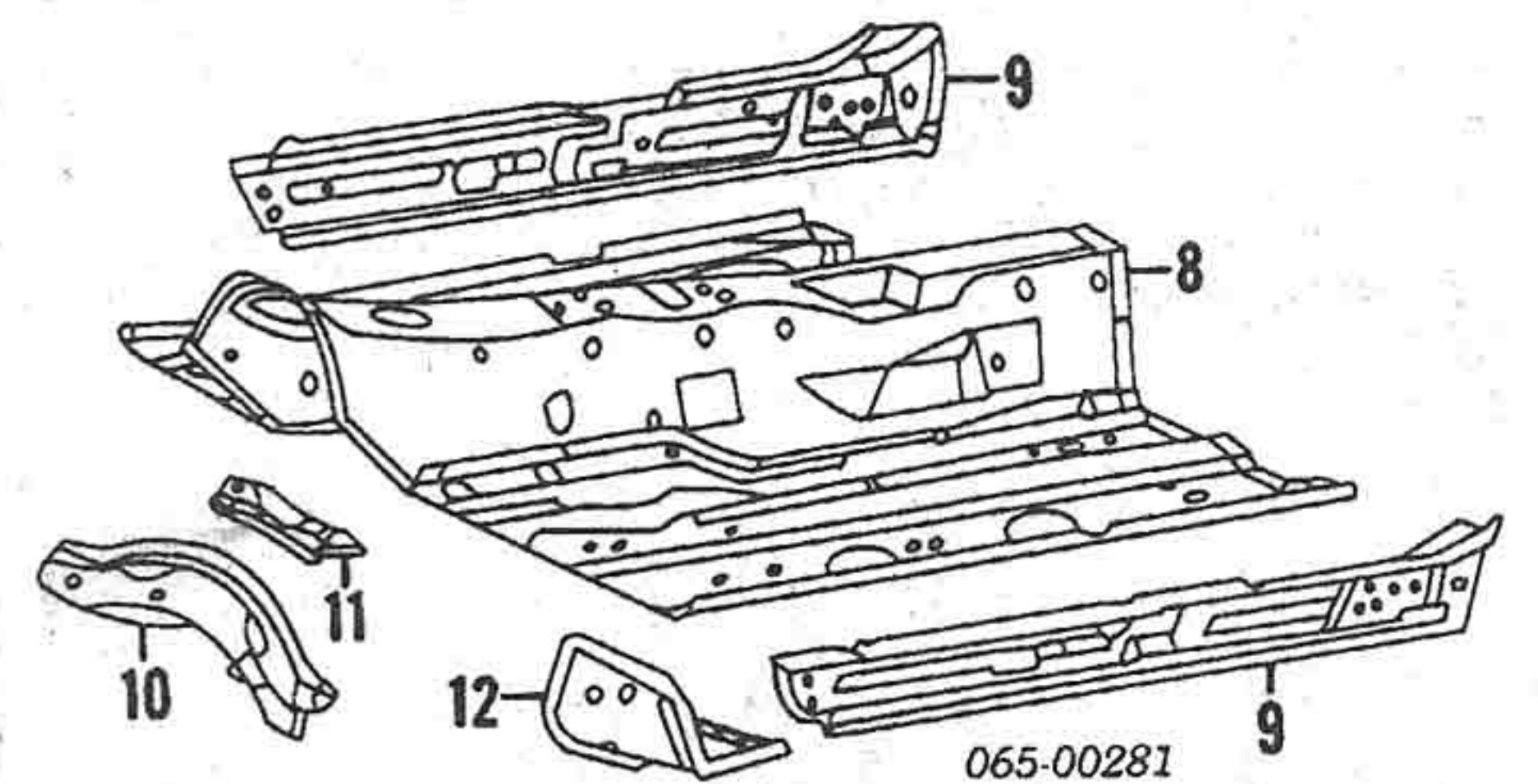
**SHEET METAL**

Refinish Hinge Pillar	R/L	1.0
Section Hinge Pillar		
Outer	R/L	9.0

NOTE: For sectioning methods, refer to Manufacturer's Body Repair Manual.

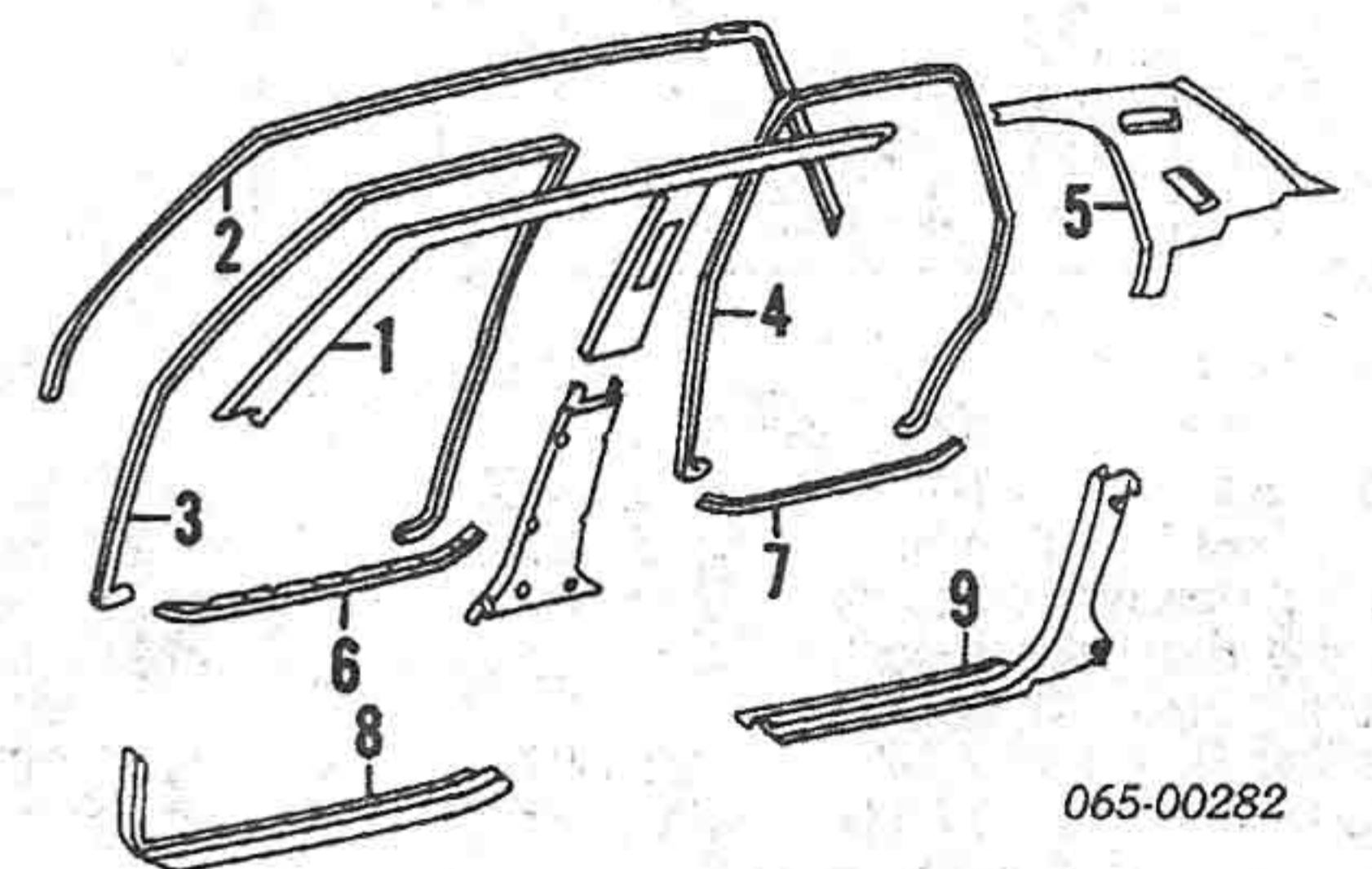


1 Pillar, Hinge Outer	R 61131-50012	s	10.5	214.57
	L 61132-50012	s	10.5	214.57
2 Pillar, Hinge Inner¶	90-92 R 61023-50010	s	2.5	181.86
	L 61024-50010	s	2.5	181.86
	93-94 R 61023-50011	s	2.5	206.14
	L 61024-50011	s	2.5	206.14
	¶Additional Parts &/or Dealer Contact Required			
3 Reinf, Pillar Upper	R 61135-50010	s	1.5	90.64
	L 61136-50010	s	1.5	90.64
4 Reinf, Pillar Lower	R 61137-50010	s	1.0	83.28
	L 61138-50010	s	1.0	83.28
5 Gusset, Pillar	R 61145-50010			35.71
	L 61146-50010			35.71
6 Bracket, Cowl Side	R 61127-50010			7.10
	L 61128-50010			7.10
7 Brkt, Door Check	R 61177-50010			6.86
	L 61177-50050			6.92
	Pillar, Center-See Quarter Panel Section			



8 Pan, Front Floor	58101-50014			842.05
Panel, Rocker Outer-See Quarter Panel Section				
9 Panel, Rocker Inner	90-92 R 57401-50021	s	4.0	121.36
	L 57402-50021	s	4.0	121.36
	93-94 R 57401-50021	s	4.0	121.36
	L 57402-50021	s	4.0	121.36
10 Crossmember, Front	57177-50011			83.28
11 Reinf, Front Floor	57417-50010			17.46
12 Box, Torque	R 57197-50011			121.43
	L 57198-50011			121.43

**INTERIOR TRIM**

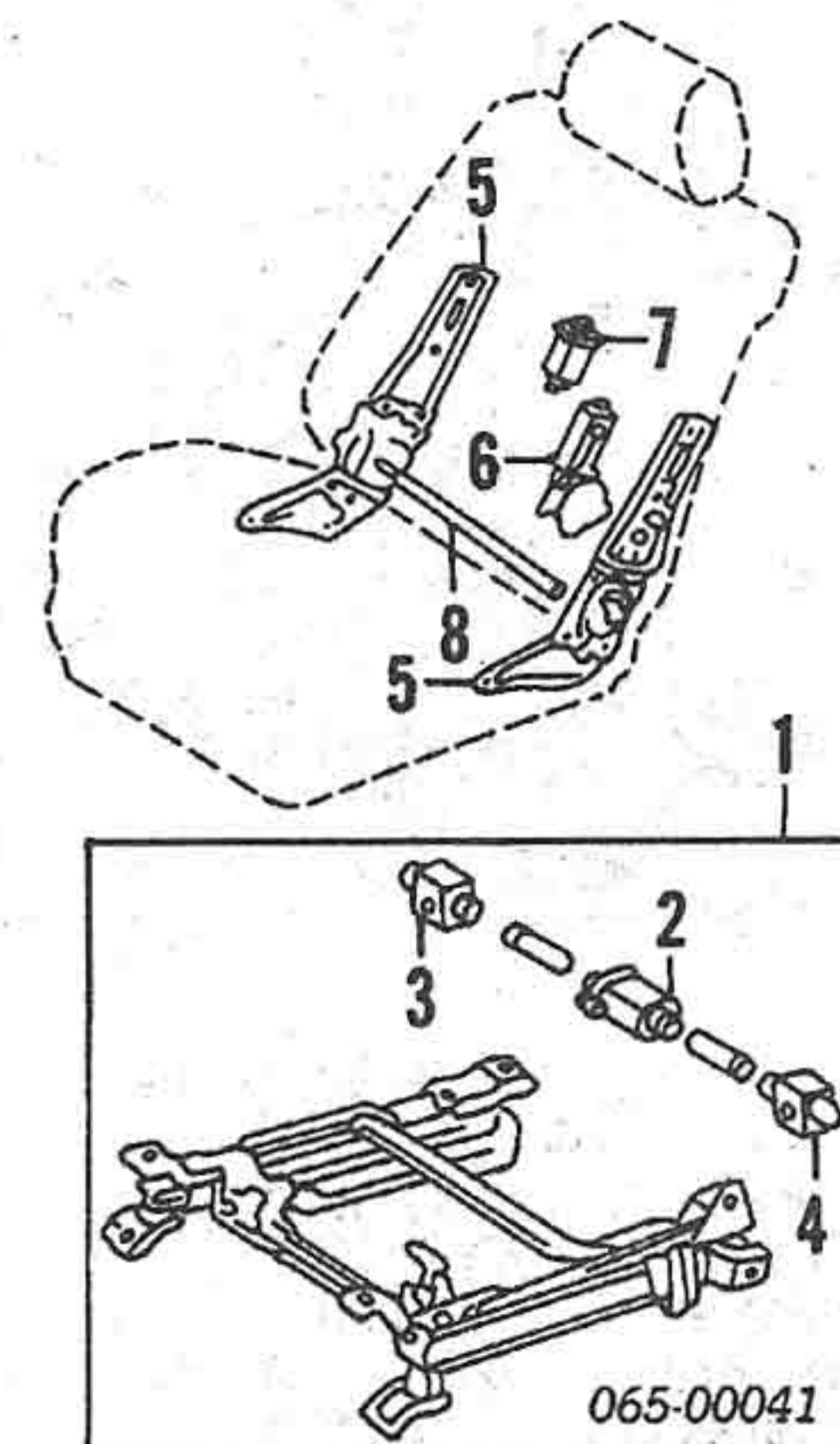


1 Moulding, Inside Garnish-See Windshield Section				
2 W/Strip, Roof Rail-See Roof Section				
3 W/Strip (Front Door Opening)				
	-See Front Door Section			
4 W/Strip (Rear Door Opening)				
	-See Rear Door Section			
5 Panel, Upper Trim				
	-See Quarter Panel Section			
6 W/Strip, Lower (Front Door Opening)				
	-See Front Door Section			
7 W/Strip, Lower (Rear Door Opening)				
	-See Rear Door Section			
Plate, Scuff¶				
8 Front Door	R 67913-50010-W3	.	2	89.58
	L 67914-50010-W3	.	2	89.58
9 Rear Door	R 67917-50010-W3	.	4	101.47
	L 67918-50010-W3	.	4	99.06
	¶Blue listed, Order by Application			

**SEAT**

**PASSENGER SIDE**

R&I Front Seat Assy				.6
---------------------	--	--	--	----



1 Regulator Assy¶	72110-50010-04	#	9	1251.95
	¶Blue listed, Order by Application			
2 Motor, Slide (a)	85820-22050	#	9	393.16
3 Housing, Motor Outer (a)	72206-50010	#	9	139.98
4 Housing, Motor Inner (a)	72206-50010	#	9	139.98
	(a) Included w/Regulator Assy			
	#R&R Complete			
5 Adjuster Assy, Recline	R 72510-50010	#	1.9	315.04
	L 72530-50010	#	1.9	153.43
6 Motor, Reclining¶	85820-50040	#	1.9	381.36
	¶Included w/Right Recline Adjuster Assy			
7 Motor, Power Seat	85820-50080	#	1.9	475.85
8 Pipe, Connecting	72501-30050	#	1.9	19.25
	#R&R Complete One Seat			

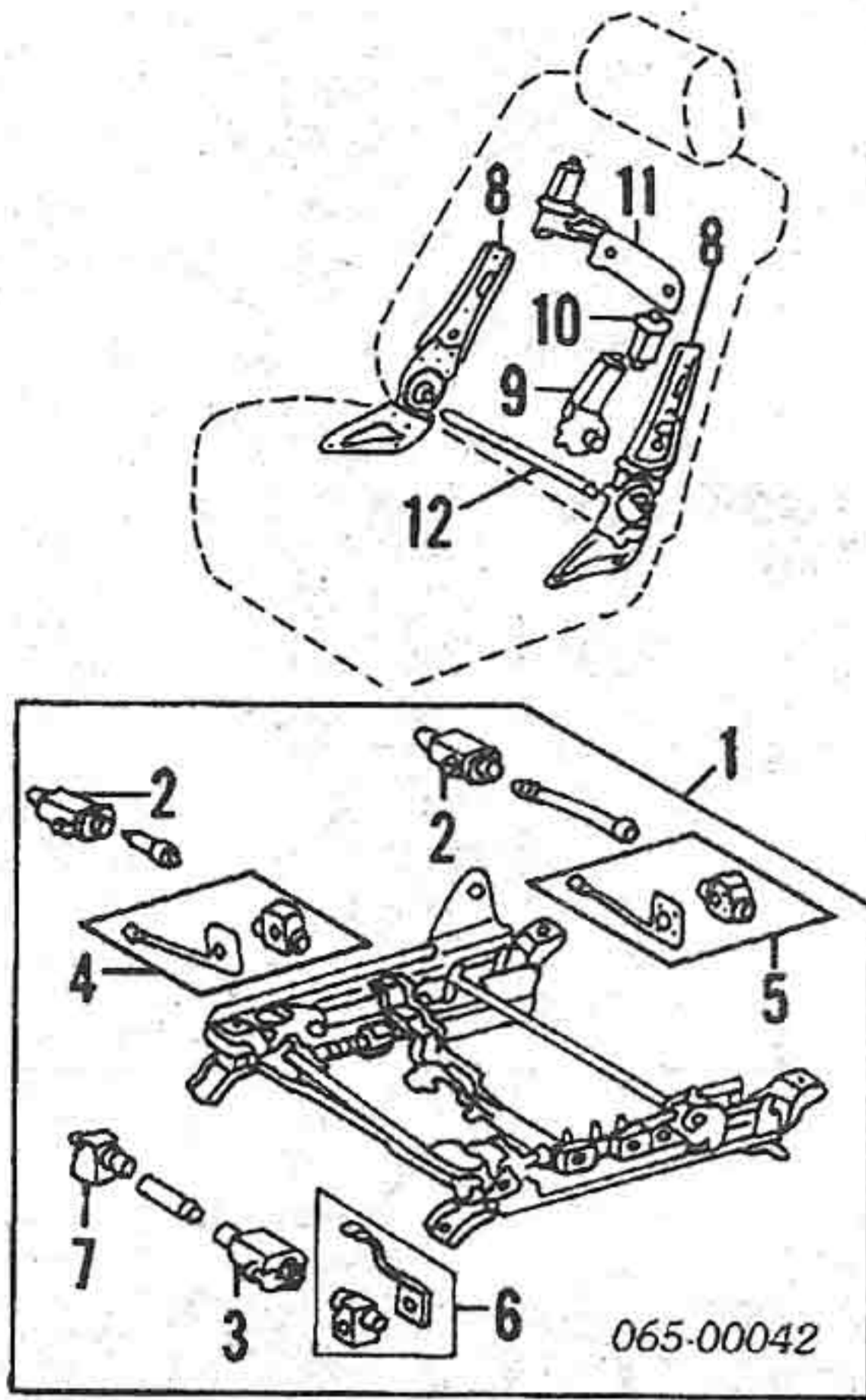


# LEXUS LS 400 1990-94

## SEAT Cont'd

### DRIVER SIDE W/DPMS

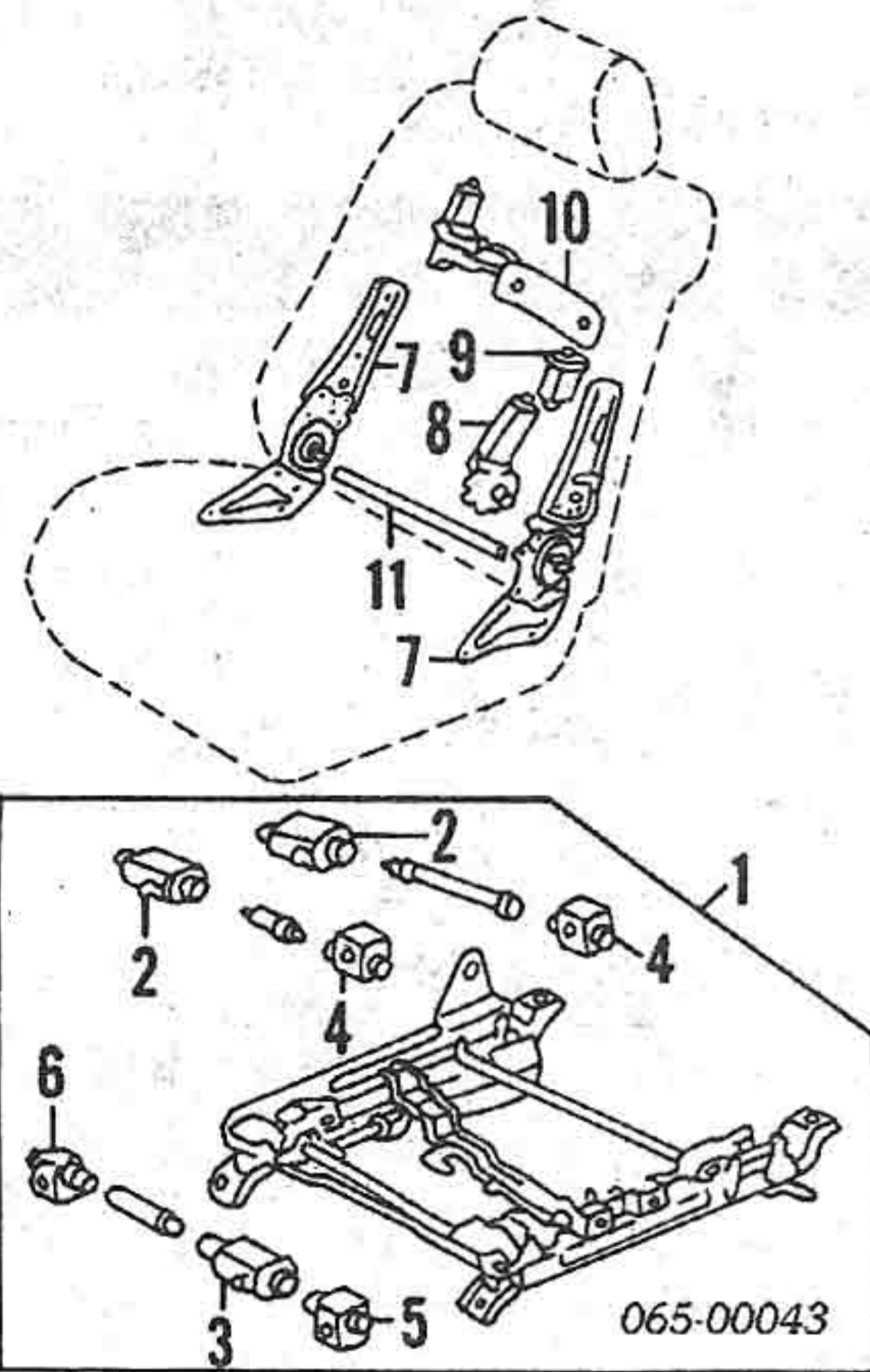
R&I Front Seat Assy..... .6



1 Regulator Assy	72120-50030-04	#1.2	1808.55
¶Blue listed, Order by Application			
2 Motor, Seat Height (a) (2)	85820-50030	#1.2	475.85
3 Motor, Fore & Aft Seat (a)	85820-50010	#1.2	393.16
4 Housing, Front Height Motor (a)	72405-50010	#1.2	92.40
5 Housing, Rear Height Motor (a)	72405-50020	#1.2	92.40
6 Housing, Outer Fore & Aft (a)	72205-50020	#1.2	67.22
7 Housing, Inner Fore & Aft (a)	72206-22020	#1.2	114.80
(a) Included w/Regulator Assy #R&R Complete One Seat			
8 Adjuster Assy, Recline	R 72540-50010	#1.9	153.43
	L 72520-50020	#1.9	432.84
9 Motor, Reclining	85801-50010	#1.9	395.37
¶Included w/Left Recline Adjuster Assy			
10 Motor, Pwr Seat Outer	85820-50060	#1.9	475.85
11 Motor, Pwr Seat Inner	85820-24070	#1.9	0.00
12 Pipe, Connecting	72501-30050	#1.9	19.25
#R&R One Seat Complete			

### DRIVER SIDE W/O DPMS

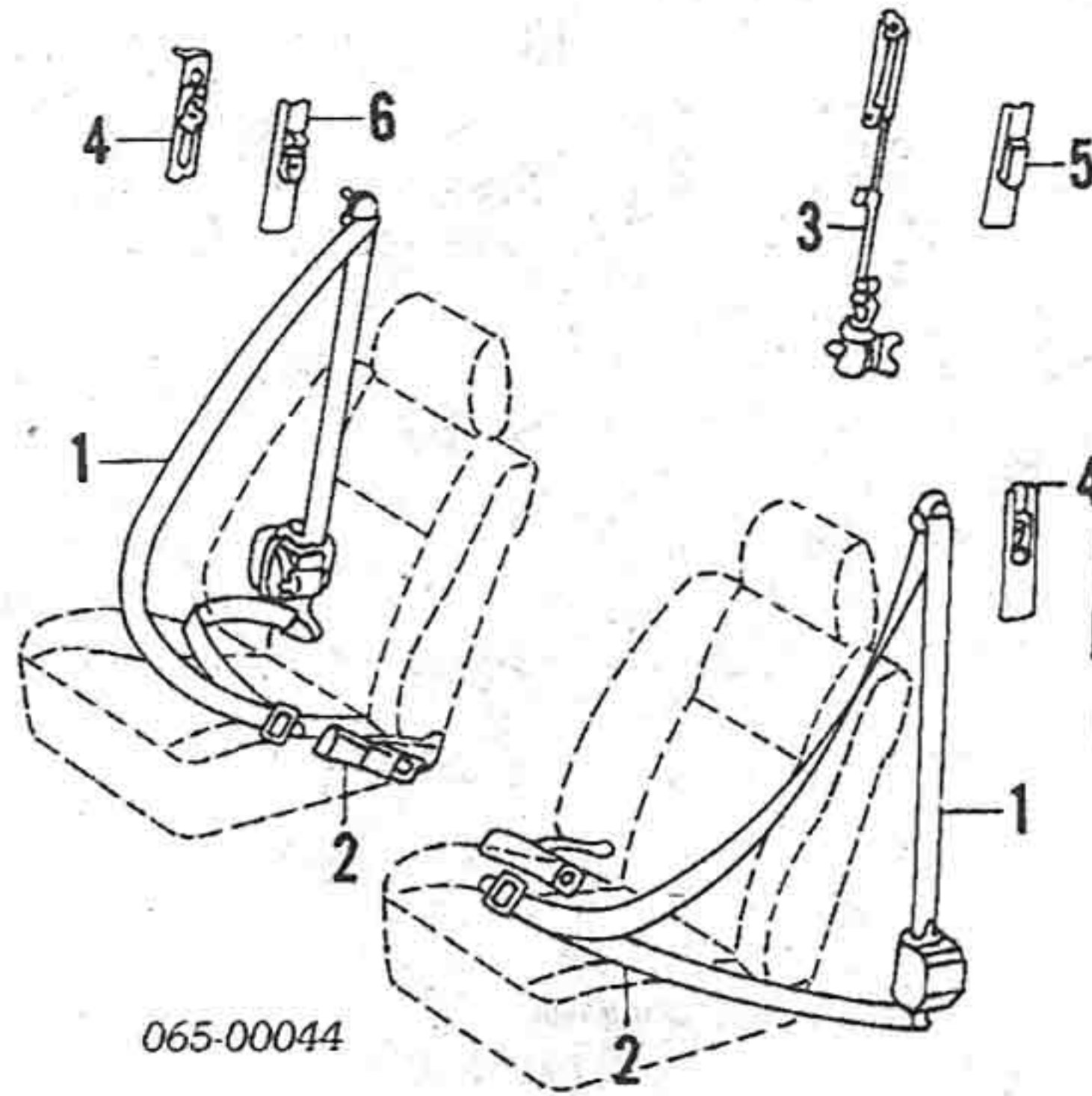
R&I Front Seat Assy..... .6



1 Regulator Assy	72120-50020-04	#.9	2043.81
Pwr Seat ¶Blue listed, Order by Application			
2 Motor, Seat Height (a) (2)	85820-50030	#.9	475.85
3 Motor, Fore & Aft Seat (a)	85820-50010	#.9	393.16
4 Housing, Height Motor (a)	72405-30080	#.9	114.77
5 Housing, Fore/Aft Outer (a)	72206-22020	#.9	114.80
6 Housing, Slide Motor Inner (a)	72205-50020	#.9	67.22
(a) Included w/Power Seat Regulator Assy #R&R One Seat Complete			
7 Adjuster Assy, Recline	R 72540-50010	#1.9	153.43
	L 72520-50010	#1.9	315.04
8 Motor, Reclining	85820-50050	#1.9	381.36
¶Included w/Left Recline Adjuster Assy			
9 Motor, Pwr Seat Outer	85820-50060	#1.9	475.85
10 Motor, Pwr Seat Inner	85820-24070	#1.9	0.00
11 Pipe, Connecting	72501-30050	#1.9	19.25
#R&R One Side Complete			

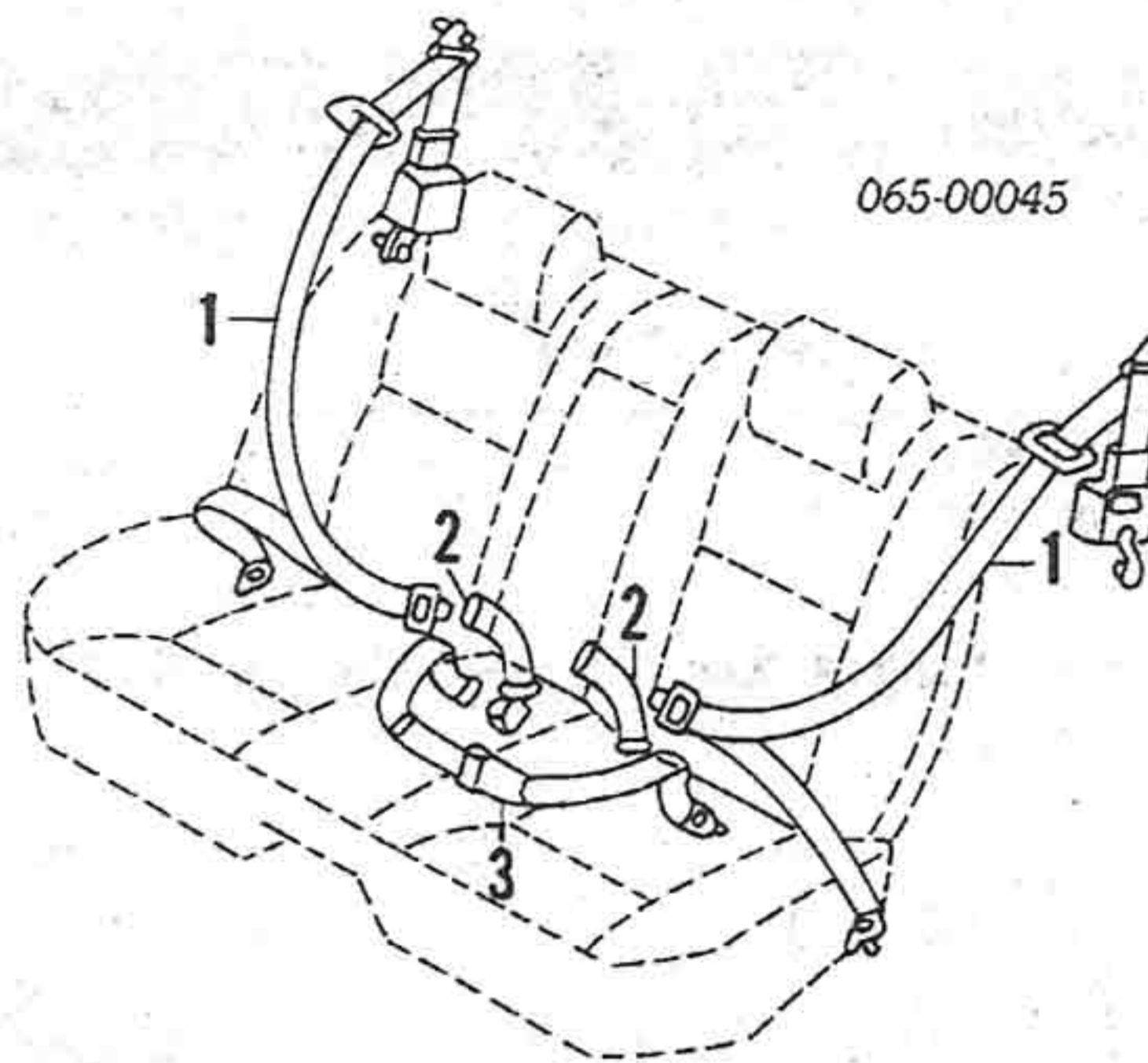
## SEAT BELTS

### FRONT



<b>Belt, Seat</b>			
1 Retractor Side	R 73210-50020-03	#1.2	144.13
	L 73220-50021-03	#1.2	120.79
2 Buckle Side	R 73230-50010-04	#1.2	39.92
	L 73240-50010-04	#1.2	39.92
¶Blue listed, Order by Application #R&R One Side Complete			
<b>Adjuster, Anchor</b>			
3 w/DPMS	R 73200-50020		502.64
	L 73290-50020		633.45
4 w/o DPMS	R 73200-50011		75.59
	L 73290-50011		75.59
<b>Cover, Adjuster</b>			
5 w/DPMS	R 73135-50020-W3		18.25
	L 73136-50020-04		20.11
6 w/o DPMS	R 73135-50010-04		20.11
	L 73136-50010-04		20.11
¶Blue listed, Order by Application			

### REAR



<b>Belt, Outer</b>			
1 Retractor, Side	R 73360-50024-B0	#1.8	141.61
	L 73370-50024-B0	#1.8	141.61
2 Buckle Side	R 73380-50030-03	#1.8	51.93
	L 73480-50030-03	#1.8	51.93
3 Belt Assy, Center	73350-50020-04	#1.8	49.24
¶Blue listed, Order by Application #R&R Complete			

## FRONT DOOR

Use Procedure Explanations 16 and 28 with the following text.

### SHEET METAL

Refinish Door Outside.....	R/L	2.5
Add for Jamb & Interior.....	R/L	1.0
Add for Jamb.....	R/L	.5
R&I Door Assy.....	R/L	1.0
Add to R&R Door Shell or Door Repair Panel To Drill Holes for Installation		
One Moulding.....	R/L	.3
Each Additional Moulding.....	R/L	.2
Section Door Repair Panel.....	R/L	6.5

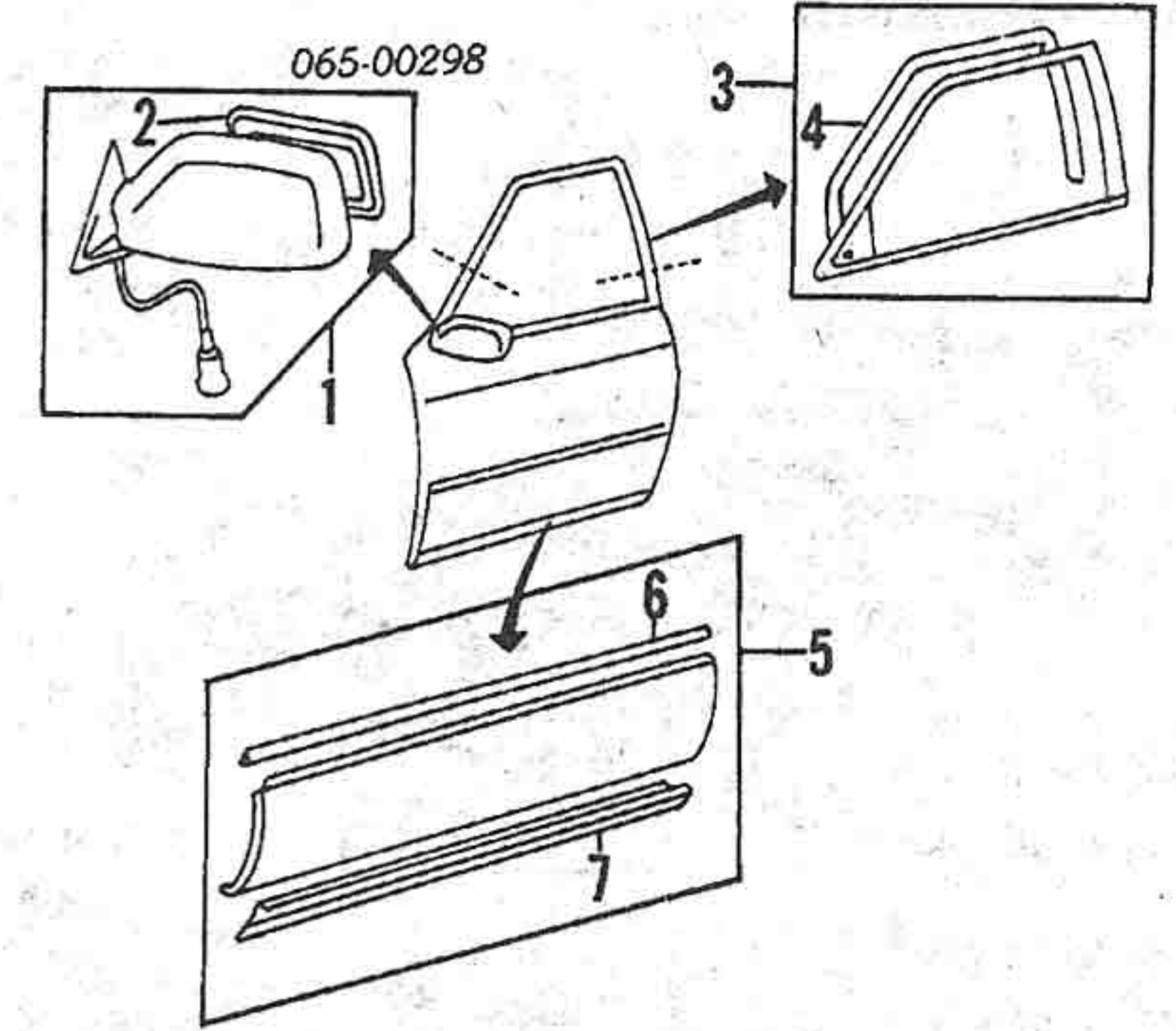
NOTE: For sectioning methods, refer to Manufacturers Body Repair Manual.

<b>Shell Assy, Door</b>			
To 10-89	R 67001-50011	#5.0	693.57
	L 67002-50011	#5.0	693.57
From 10-89	R 67001-50011	#5.0	693.57
	L 67002-50011	#5.0	693.57
<b>Panel, Door Repair</b>	R 67111-50011	#7.5	449.80
	L 67112-50011	#7.5	449.80
¶Included w/Door Shell Assy #Includes R&R Mirror			

## EXTERIOR TRIM

Refinish Mirror..... R/L .4

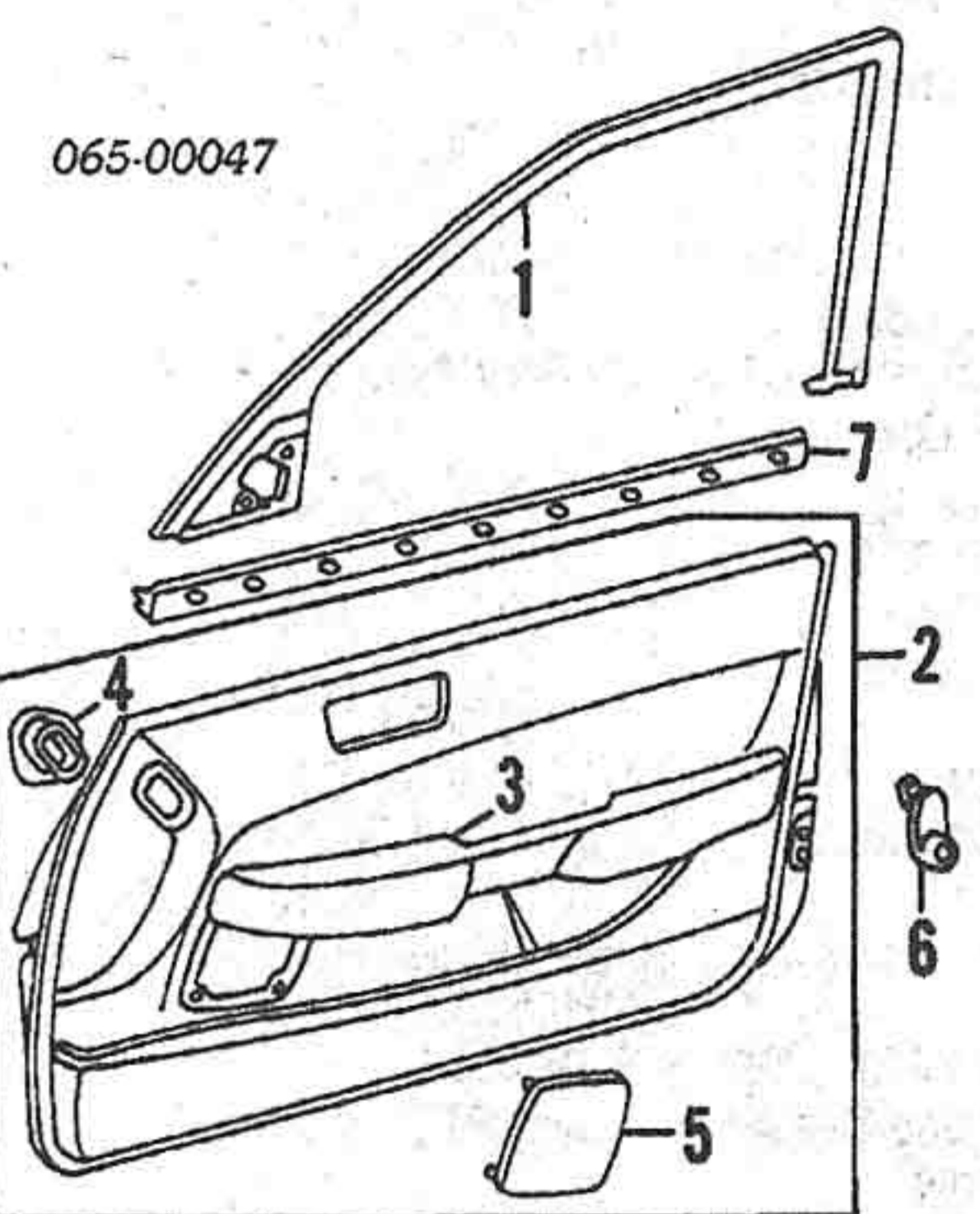
R&I Belt Moulding.....	R/L	#1.8
#Includes R&I Mirror, R&I Trim Panel & R&I Door Glass		
R&I Side Moulding Assy.....	R/L	.6
R&I Rear View Mirror Assy.....	R/L	#.7
#Includes R&I Trim Panel		



1 Mirror Assy, Rear View	R 87910-50011-01	#.7	246.78
	L 87940-50011-01	#.7	246.78
¶Black listed, Order by Application #Includes R&I Trim Panel			
2 Mirror, Rear View (a)	R 87931-50011	.3	68.94
	L 87961-50011	.3	75.95
(a) Included w/Rear View Mirror Assy			
3 Mldg Assy, Belt	R 75701-50013	#.4	475.85
	L 75702-50013	#.4	475.85
4 Weatherstrip (b)	R 67863-50013	#.4	94.64
	L 67864-50013	#.4	94.64
(b) Included w/Belt Moulding Assy #R&R One Side Complete, w/Mirror & Door Glass Removed			
5 Mldg Assy, Side	90-92 R 75071-50011-33	.6	572.67
	L 75072-50011-33	.6	572.67
	93-94 R 75071-50020-C0	.6	654.30
	L 75072-50020-C0	.6	654.30
¶Silver listed, Order by Application			
6 Moulding, Upper (c)	90-92 R 75733-50010	#.8	43.74
	L 75734-50010	#.8	43.74
	93-94 R 75733-50020	#.8	39.89
	L 75734-50020	#.8	39.89
7 Moulding, Lower (c)	90-92 R 75735-50011	#.8	121.43
	L 75736-50011	#.8	121.43
	93-94 R 75735-50020	#.8	146.63
	L 75736-50020	#.8	146.63
(c) Included w/Side Mldg Assy #R&R One Side Complete			

## INTERIOR TRIM

R&I Trim Panel..... R/L .5



1 Panel, Trim Upper	R 67663-50010-W3	#.2	118.95
	L 67664-50010-W3	#.2	118.95
#w/Trim Panel Removed			
2 Panel Assy, Trim Lower	R 67610-50020-J0	.7	1233.53
	L 67620-50020-J0	.7	1233.53
3 Armrest (a)	R 74210-50010-J0	.2	162.70
	L 74220-50010-04	.2	178.10
¶Blue listed, Order by Application			
4 Seal, Dust Proof (a)	R/L 67837-50030		13.51
5 Grille, Speaker (a)	R/L 67609-50010-J0	.1	25.87
¶Blue listed, Order by Application (a) Included w/Lower Trim Panel Assy			
<b>Speaker, Radio</b>			
Pioneer Brand	90-92 R 86150-50010	#.3	186.82
	L 86150-50020	#.3	186.82
	93-94 R 86150-50110	#.3	138.13
	L 86150-50120	#.3	138.13
Nakamichi Brand	90-92 R 86150-50030	#.3	234.64
	L 86150-50040	#.3	234.64
#w/Trim Panel Removed			
6 Bracket, Side Trim	R/L 67649-50010-J0		1.68
¶Blue listed, Order by Application			
7 Weatherstrip, Inner	R 68170-50010	#.2	39.23
	L 68220-50010	#.2	39.23
#w/Trim Panel Removed			



# LEXUS LS 400 1990-94

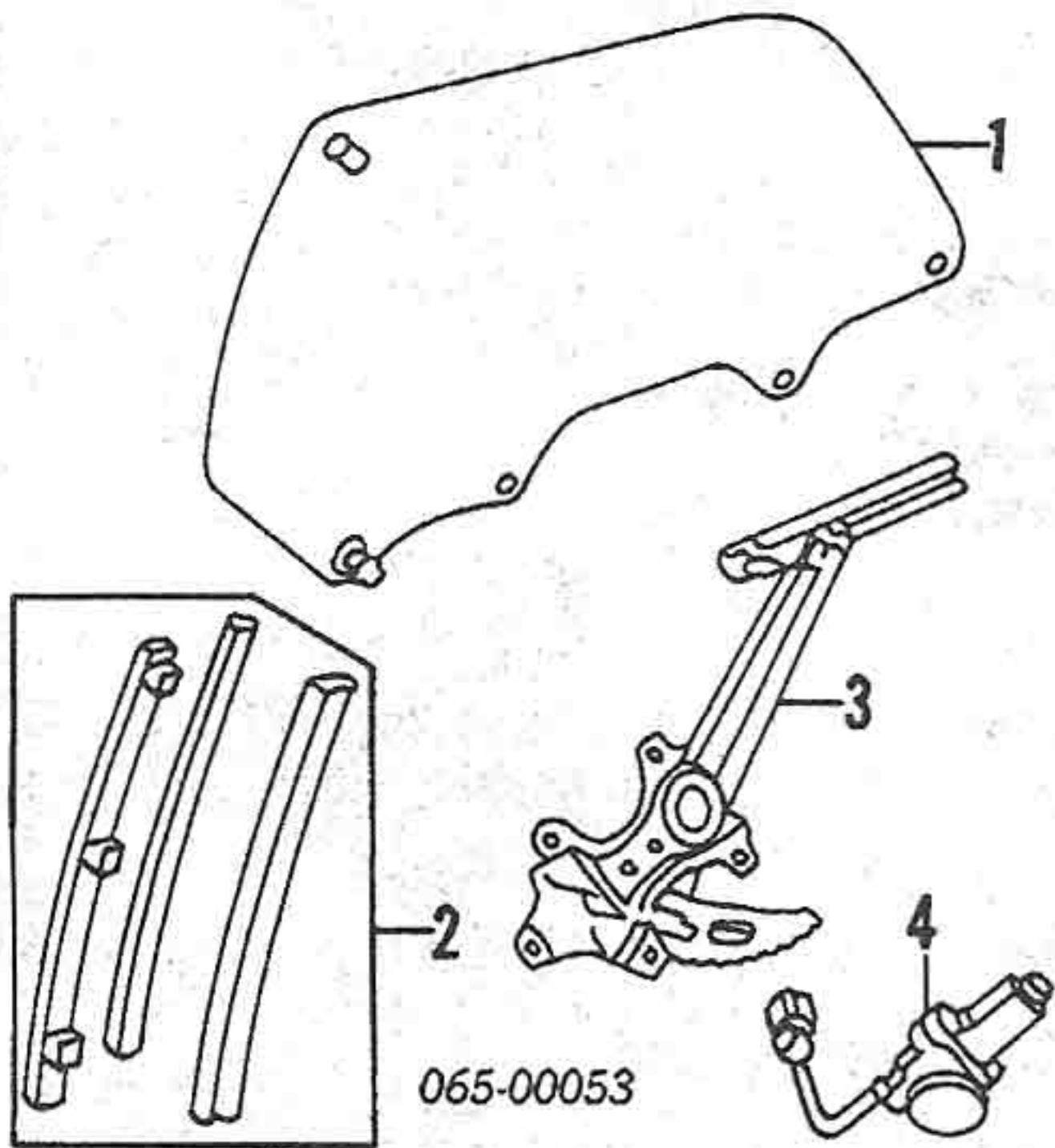
## REAR DOOR Cont'd

### HARDWARE Cont'd

	L 68760-50010	#1.4	43.06
	93-94 R 68750-50020	#1.4	39.21
	L 68760-50020	#1.4	39.21
12 Hinge, Lower	90-92 R 68770-50010	#1.4	52.84
	L 68780-50010	#1.4	52.84
	93-94 R 68770-50020	#1.4	47.96
	L 68780-50020	#1.4	47.96
<i>#w/Door Removed, Includes R&amp;L/R&amp;R Front &amp; Rear Scuff Plates, Center Pillar Lower Garnish, Upper &amp; Lower Seat Belt Retractors, R&amp;L/R&amp;R Both 1.6</i>			
13 Check, Door	R 68630-50012	#2	75.80
	L 68640-50012	#2	75.80
<i>#w/Trim Panel Removed</i>			
14 Cover, Door Check	R 68623-50010		6.07
	L 68624-50010		6.07
W/Strip on Door	R 67871-50011	.5	62.67
	L 67872-50011	.5	62.67
W/Strip on Body Upper/Side	90-92 R 62331-50010-JO	#3	121.20
	L 62332-50010-JO	#3	121.20
	93-94 R 62331-50010-JO	#3	121.20
	L 62332-50010-JO	#3	121.20
Lower	R 62330-50010	#3	21.91
	L 62340-50010	#3	21.93

¶Blue listed, Order by Application  
#R&R Both One Side .5

## GLASS & PARTS



1 Glass, Rear Door	Lexus (Tinted)		
	Bronze	R 68103-50012	#1.2 237.67
	Blue	L 68104-50012	#1.2 237.67
		R 68103-50022	#1.2 223.85
		L 68104-50022	#1.2 223.85
	Gray	R 68103-50032	#1.2 269.89
		L 68104-50032	#1.2 269.89
	NAGS		
	w/Attachment (Canada)		
	Blue	R/L N.A.	#1.2 0.00
	Bronze	R/L N.A.	#1.2 0.00
	Gray	R/L N.A.	#1.2 0.00
	w/o Attachment		
	Blue	R/L FD04122-3BTN	#1.2 0.00
	Bronze	R/L FD04122-3ZTN	#1.2 0.00
	Gray	R/L FD04122-3YTN	#1.2 0.00
2 Guide Assy, Glass	R 67435-50010	#1.2	73.83
	L 67436-50010	#1.2	73.83
<i>#R&amp;R One Side Complete, Includes R&amp;L Trim Panel</i>			
3 Regulator, Power	R 69803-50010	#6	105.77
	L 69804-50010	#6	105.77
<i>#w/Trim Panel Removed, w/Glass Removed Deduct .2</i>			
4 Motor, Regulator	R 85720-50020	#2	282.75
	L 85710-50020	#2	282.75
<i>#w/Trim Panel Removed, Included in Regulator</i>			

## ROOF

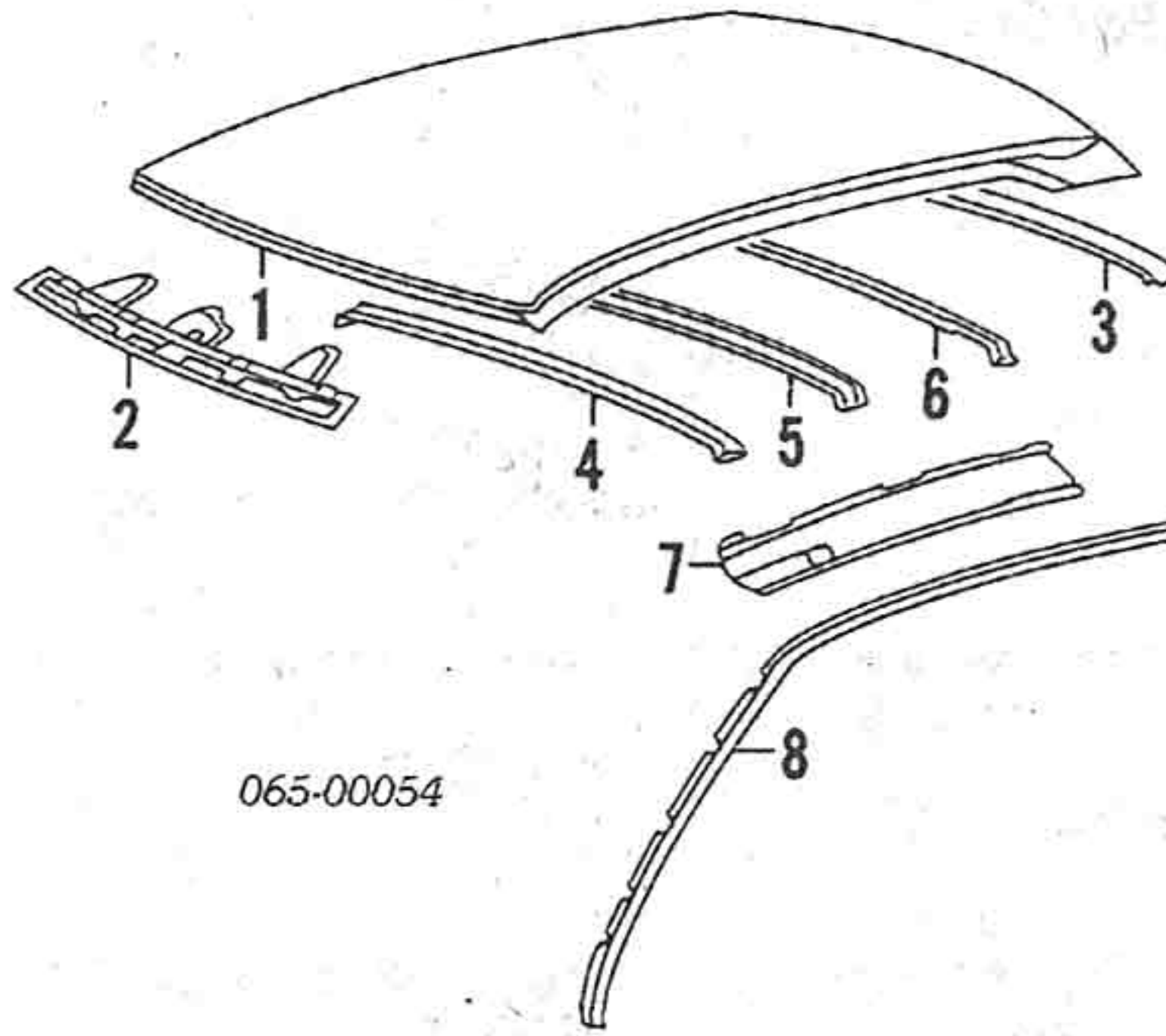
Use Procedure Explanations 17 and 28 with the following text.

### SHEET METAL/EXTERIOR TRIM

Refinish Roof Outside	3.2
Add to Edge	1.2

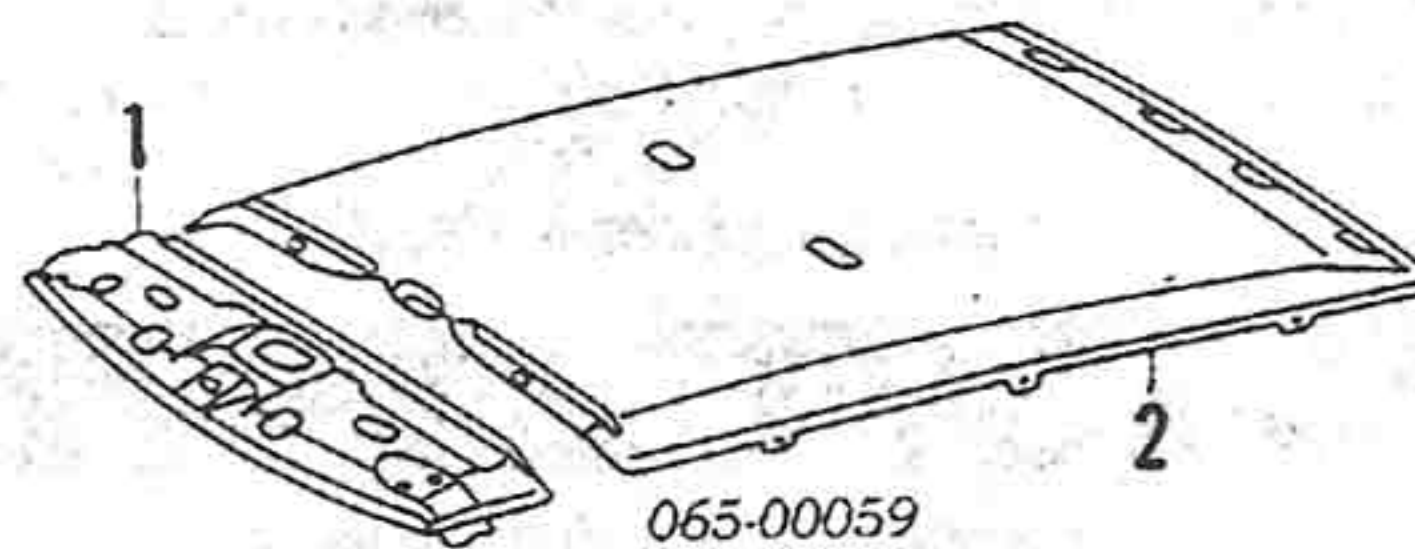
Illustration Located in Next Column

1 Roof			
w/Sunroof	63101-50020	24.0	1072.61
w/o Sunroof	63111-50010	22.0	696.05
2 Panel, Front Header			
w/Sunroof	63102-50020	1.0	90.89
w/o Sunroof	63102-50010	1.0	118.76
3 Panel, Rear Header	63105-50011	1.0	141.36
4 Bow, Reinf Front	63143-50010	.6	38.86
5 Bow, Reinf Center	63141-50010	.6	50.05
6 Bow, Reinf Rear	63144-50010	.6	38.50
Rail, Roof Otr-See Quarter Panel Section			
7 Rail, Roof Inner	R 61231-50010		96.58



Weatherstrip, Roof Side	L 61232-50010	96.58
	R 62381-50010	144.93
	L 62382-50010	144.93
8 Rail, Drip	R 61261-50010	59.14
	L 61262-50010	59.14

## INTERIOR TRIM

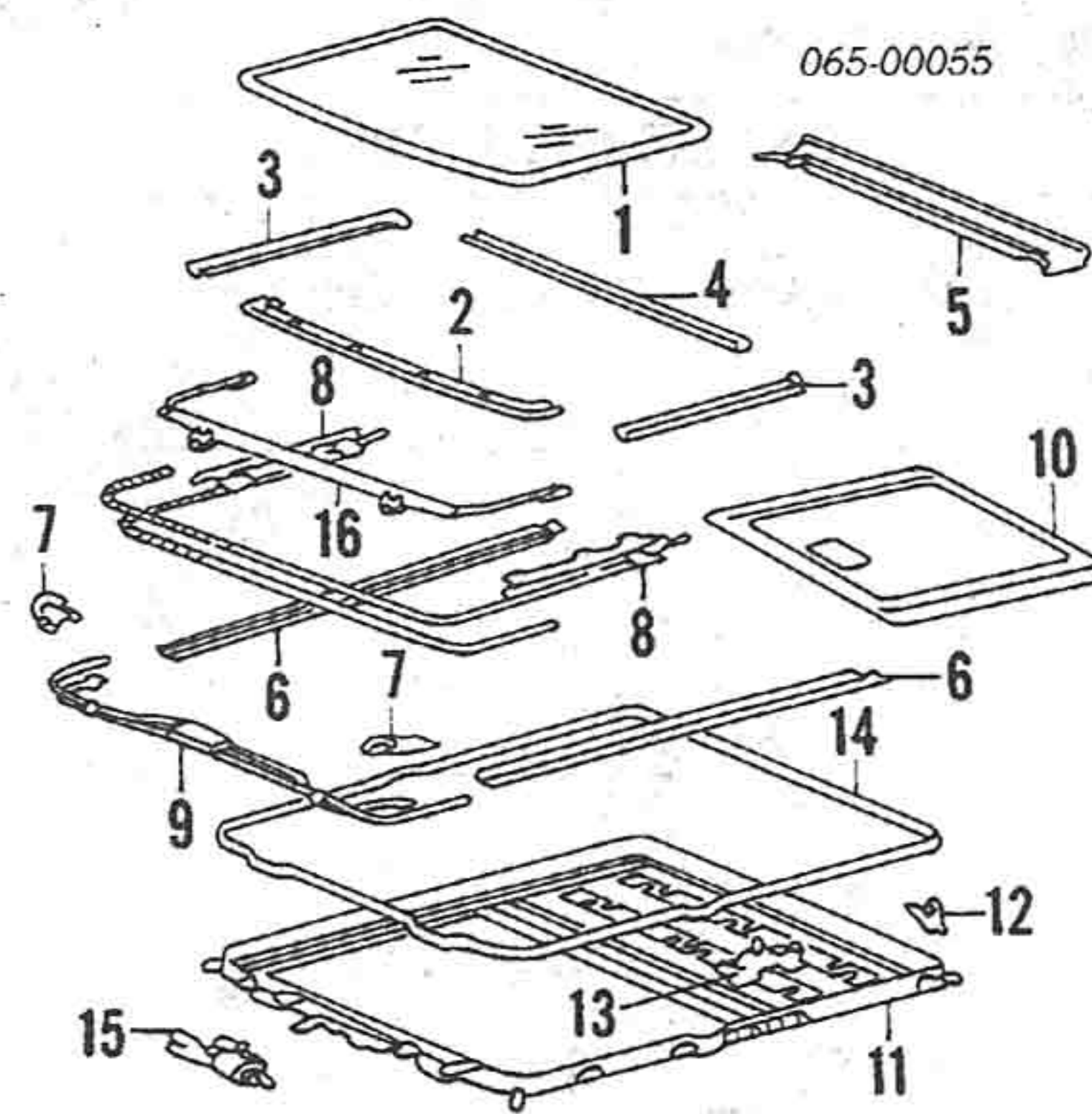


1 Headliner, Front			
w/Sunroof	63311-50021-JO	#2.4	583.03
w/o Sunroof	63311-50010-04	#2.4	644.38
<i>#Includes R&amp;L Front Pillar Garnish Mouldings &amp; Front Header</i>			
2 Headliner Rear			
w/Sunroof	63312-50020-JO	#4.0	825.41
w/o Sunroof	63312-50010-04	#3.5	714.96
<i>¶Blue listed, Order by Application</i>			
<i>#Includes R&amp;L Rear Seat Back &amp; Cushion, Front Pillar, Side Inner Garnish Mouldings &amp; Rear Header</i>			

## SUNROOF

O/H Sunroof Assy	5.5
------------------	-----

NOTE: All Parts in this section are included in overhaul unless noted otherwise.



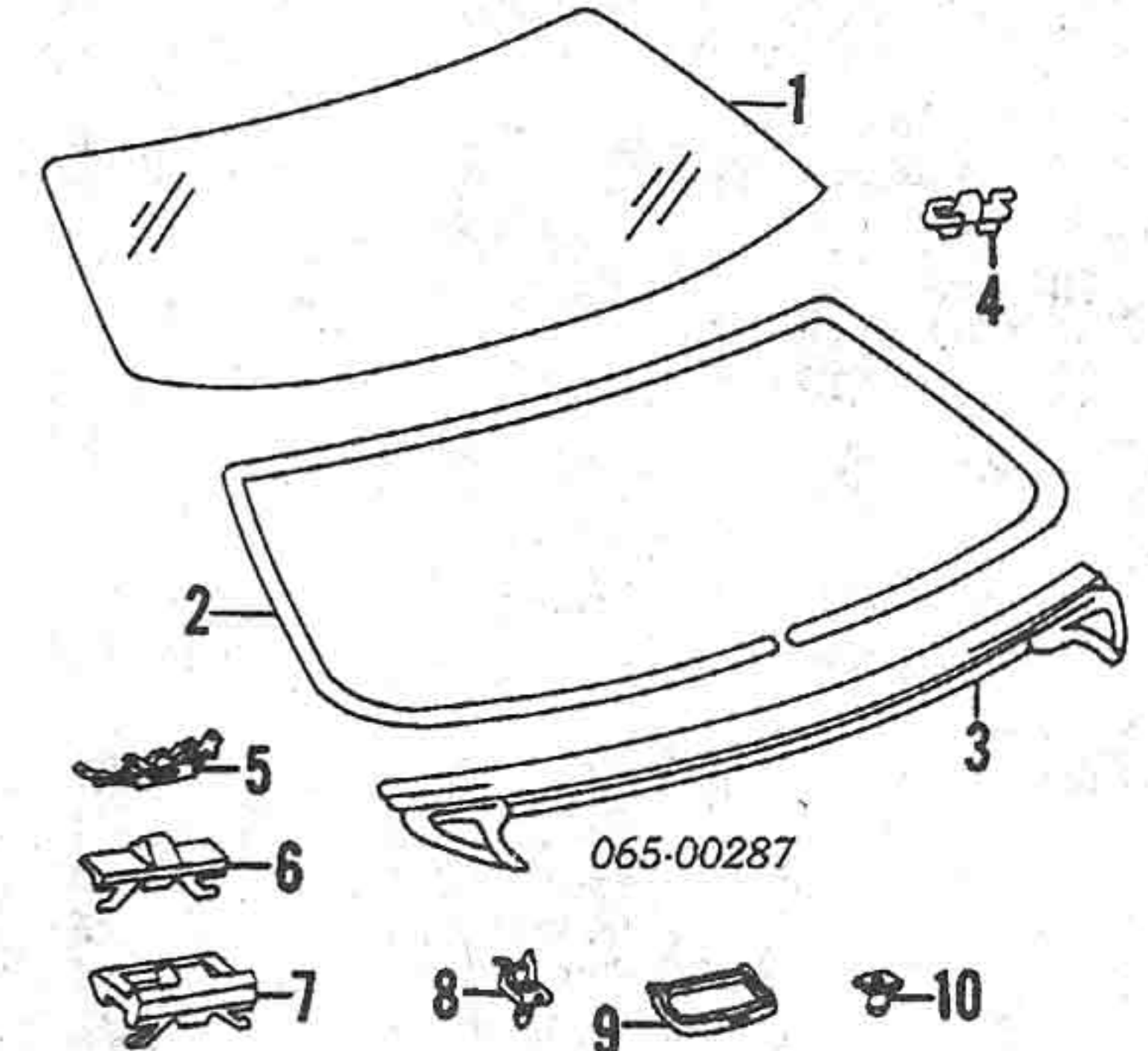
1 Glass, Sunroof	Lexus (Tinted)		
	Bronze	63201-50081	1.5 414.51
	Blue	63201-50091	1.5 710.86
	Gray	63201-50071	1.5 710.86
Garnish, Sliding Roof			
2 Front	63635-50010-C0	.2	56.34
3 Side	R 63217-50010-C0	.2	32.91
	L 63218-50010-C0	.2	32.91
4 Rear	63219-50011-W3	.2	42.36
<i>¶Blue listed, Order by Application</i>			
5 Trough, Drain	63214-50011		62.99
6 Rail, Guide-Serviced w/Guide Cable			
7 Cover, Guide Rail	R 63255-50012		5.69
	L 63256-50012		5.69
8 Cable, Guide	R 63603-50010	#3.8	353.39
	L 63604-50010	#3.8	353.39
9 Casing, Guide Cable	63221-50010	#3.8	167.97
<i>#R&amp;R Complete</i>			
10 Sunshade	63306-50010-JO	1.9	510.82
<i>¶Blue listed, Order by Application</i>			
11 Housing, Sliding Roof	63203-50010		349.89
Bracket, Sliding Roof Mtg			
12 Front (6)	63241-50010		6.21
13 Center	R 63243-50010		17.60
	L 63244-50010		17.60
14 Weatherstrip, Housing	63252-50010		92.40
15 Gear, Sliding Roof	63260-50011		298.41
16 Deflector, Air	63209-50012		164.82

## BACK WINDOW

Use Procedure Explanation 19 with the following text.

R&L Back Window	#4.5
<i>#Includes R&amp;L Luggage Lid, Rear Seat Back Cushion, Package Tray, Rear Header &amp; Side Garnish &amp; Clean Up Old Adhesive as Necessary</i>	

NOTE: Lexus advises lower, side upper and joint cover mouldings are not reusable.



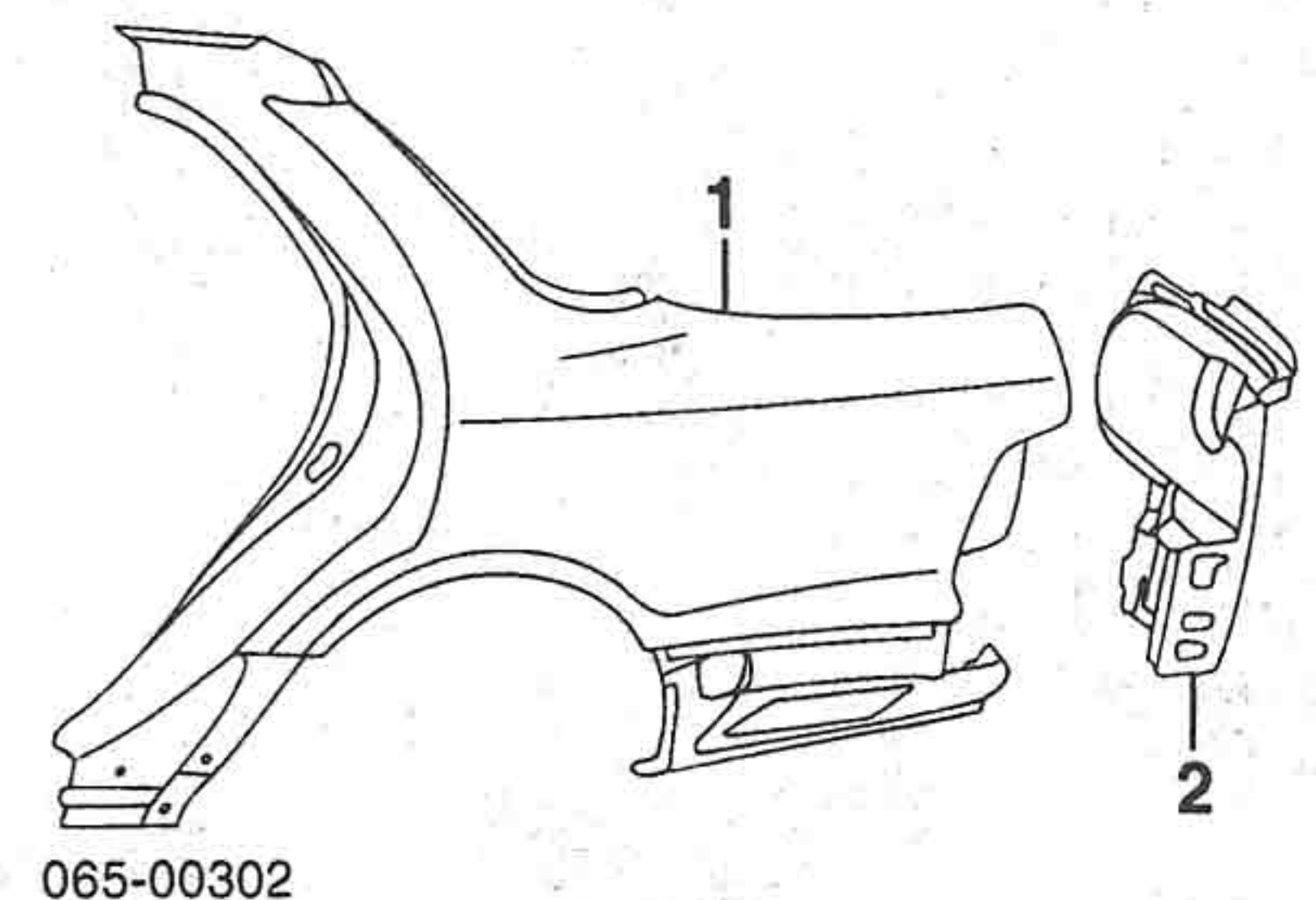
1 Glass, Back Window			
	Lexus (Tinted)		
	Bronze	64810-50041	#4.0 998.12
	Blue	64810-50061	#4.0 936.62
	Gray	64810-50051	#4.0 1141.84
	NAGS		
	Blue	FB04124BTN	#4.0 0.00
	Bronze	FB04124ZTN	#4.0 0.00
	Gray	FB04124YTN	#4.0 0.00
<i>#Includes R&amp;L Luggage Lid, Rear Seat Back Cushion &amp; Package Tray, Rear Header &amp; Side Garnish &amp; Clean Up Old Adhesive as Necessary</i>			
2 Midg, Reveal Upper/Side	75501-50010	#1.0	152.19
3 Midg, Reveal Lower	75507-50010	#1.0	196.67
<i>#R&amp;R Complete</i>			
4 Spacer, Back Window (16) Clip, Reveal Moulding	64818-50080		1.17
5 Type A, Yellow (3)	75496-50020		1.79
6 Type B, Natural (4)	75491-50010		1.03
7 Type C, Natural (44)	75491-50020		.79
8 Clip, Reveal Moulding	75497-50020		4.30
<i>¶Black listed, Order by Application</i>			
9 Retainer	76581-50010		3.44
10 Clip, Reveal Moulding (6)	90467-09131		1.12

## QUARTER PANEL

Use Procedure Explanations 20 and 28 with the following text.

### SHEET METAL/EXTERIOR TRIM

Refinish Quarter Outside	R/L	2.5
Add to Edge Panel	R/L	.5
Add for Pillar	R/L	.5
Refinish Fuel Door		#4
<i>#Included in Refinish Quarter Outside</i>		
Refinish End Panel	R/L	.5
Refinish Rocker Panel	R/L	1.7
Refinish Center Pillar	R/L	1.0
R&R Both Quarter Panels		29.7
R&R Roof & Both Quarter Panels		
w/Sunroof		47.7
w/o Sunroof		45.7
R&R Rear Body Panel & Both Quarter Panels		31.7
R&R Roof, Both Quarters & Rear Body Panel		
w/Sunroof		49.7
w/o Sunroof		47.7
Add to R&R Quarter Panel		
w/CD Changer (Right Only)		.3
w/Cellular Phone (Left Only)		.3
To Drill Holes for Installation		
One Moulding	R/L	.3
Each Additional Moulding	R/L	.2
To R&L Back Glass		.5



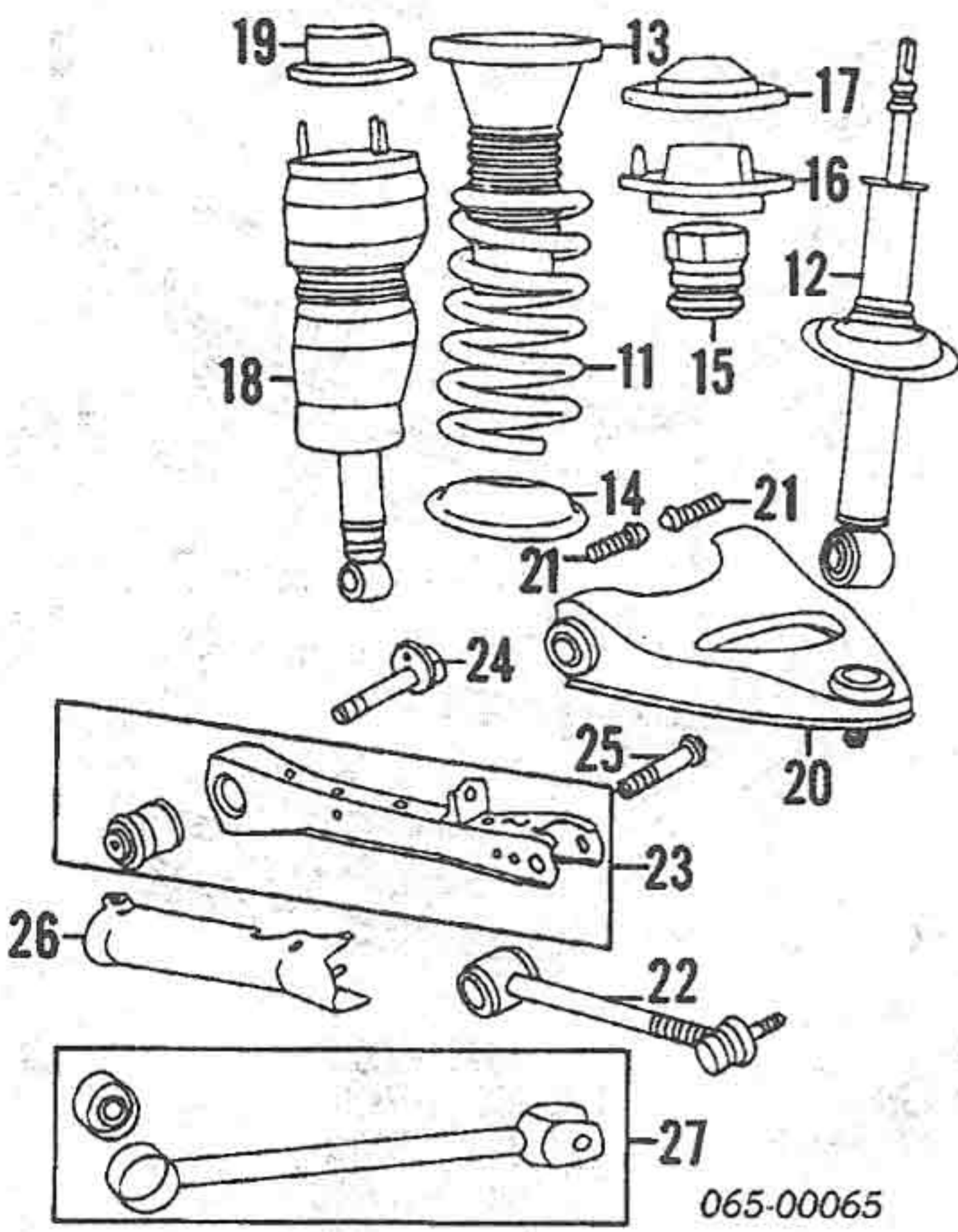
1 Panel Assy, Otr Qtr	R 61601-50021	#18.0	517.29
	L 61602-50031	#17.5	517.29



# LEXUS LS 400 1990-94

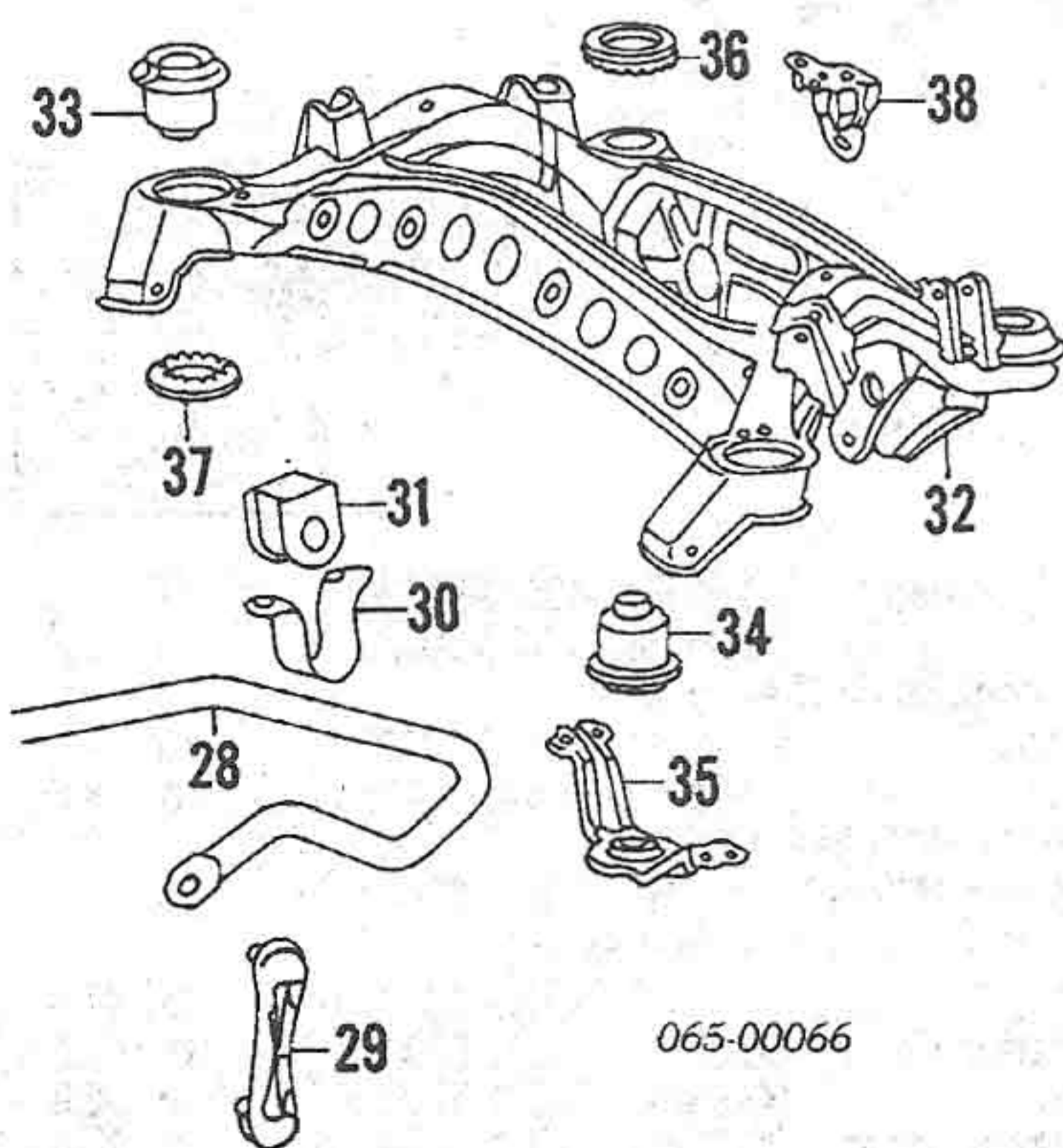
## REAR SUSPENSION Cont'd

Hose, Brake R/L 90947-02944 m #3 35.72  
#w/Caliper Removed Deduct .2



065-00065

11 Spring, Coil	90-92 R/L 48231-50010	m #2.2	97.95
	93-94 R/L 48231-50050	m #2.2	83.04
12 Absorber, Shock Standard	90-92 R/L 48530-59055	m #2.2	63.11
	93-94 R/L 48530-59055	m #2.2	63.11
13 Insulator, Spring Upper	R/L 48257-50010	m #2.2	24.49
14 Insulator, Spring Lower	R/L 48258-50010	m #2.2	10.66
15 Bumper, Spring	R/L 48341-50010	m #2.2	17.63
16 Mount, Upper	90-92 R/L 48755-50040	m #2.2	96.58
	93-94 R/L 48755-50060	m #2.2	87.84
17 Cap, Mount	R/L 48553-50020	m #2.2	12.75
	#R&R One Side Complete, Both Sides 4.2, w/Axle Carrier Removed 1.4		
18 Absorber, Shock Pneumatic	90-92 R 48080-50010	m #2.0	536.99
	L 48090-50010	m #2.0	536.99
	93-94 R 48080-50070	m #2.0	487.89
	L 48090-50070	m #2.0	487.89
19 Cap, Mount	R/L 48553-50040	m #2.0	20.17
	#R&R One Side Complete, Both Sides 3.8, w/Axle Carrier Removed 1.2		
20 Arm, Upper	R 48770-50010	m #2.2	120.93
	L 48790-50010	m #2.2	120.93
	#Both Sides 4.2, w/Axle Carrier Removed Deduct 2.0		
21 Bolt, Upper Arm Arm, Lower	R/L 90105-14074	m IOH	4.77
22 No. 1 w/Air Susp	R 48710-50020	m #1.0	109.00
	L 48720-50010	m #1.0	109.00
w/o Air Susp	R/L 48710-50020	m #1.0	109.00
23 No. 2	R/L 48730-50010	m #1.0	85.02
	#R&R Both One Side 1.2, w/Axle Carrier Removed .3		
24 Cam, Camber Adjust	R/L 48190-50011	m IOH	9.84
25 Bolt, Arm	R/L 90119-14035	m IOH	2.86
26 Cover, Arm	R 48737-50010	m IOH	15.27
	L 48738-50010	m IOH	15.27
27 Bar, Strut	R/L 48780-50010	m #9	89.69
	#w/Axle Carrier Removed .3		



065-00066

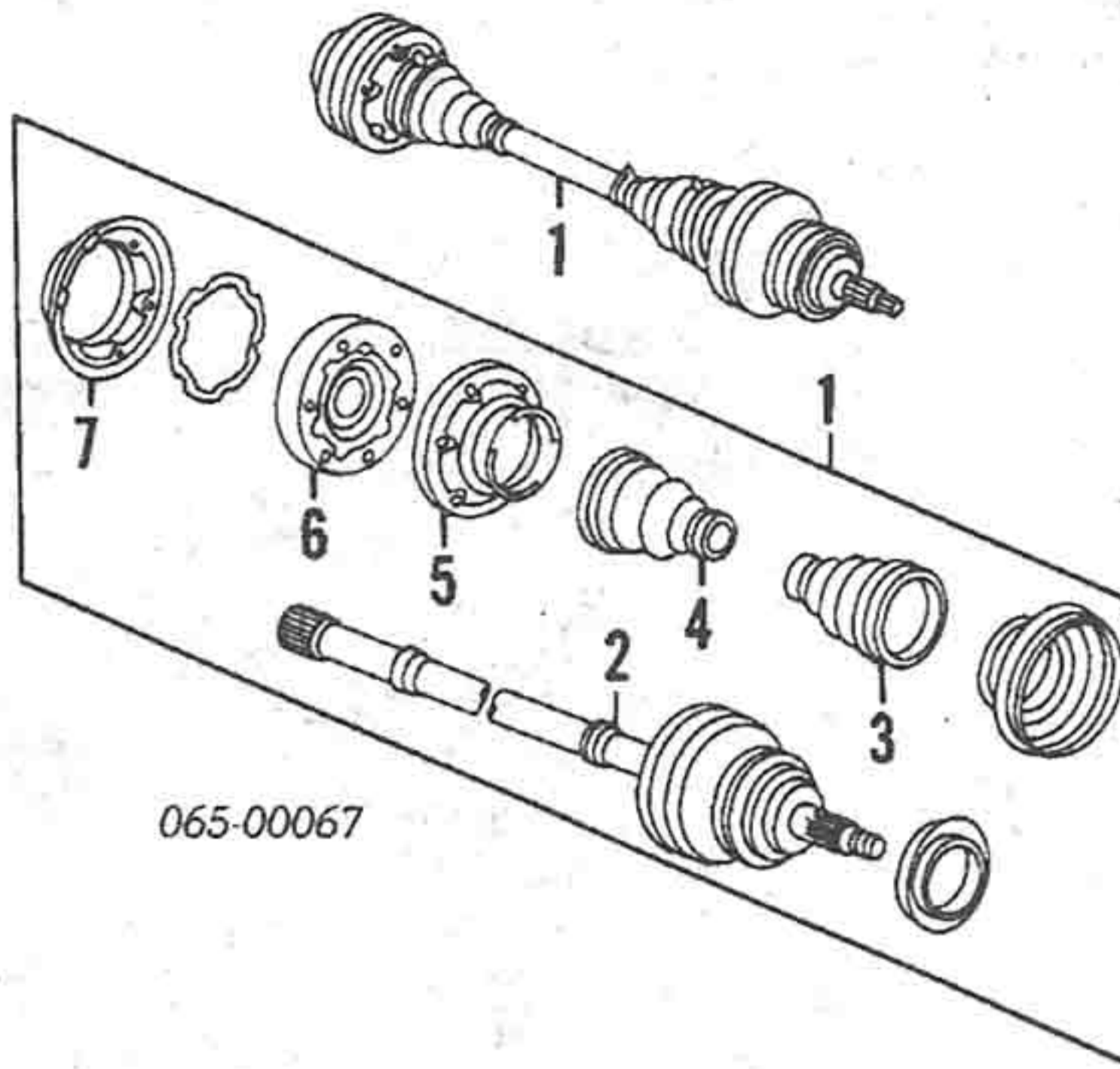
28 Bar, Stabilizer	1990-92 48812-50010	m #9	129.62
	1993-94		
	w/Air Susp 48812-50050	m #9	98.50
	w/o Air Susp 48812-50040	m #9	85.67
29 Link, Stabilizer	R/L 48830-50020	m #9	60.55
30 Bracket, Stabilizer	R/L 48824-50010	m #9	10.12
31 Bushing, Stabilizer	1990-92 R/L 48815-50030	m #9	18.60
	1993-94		
	w/Air Susp R/L 48815-50070	m #9	17.84
	w/o Air Susp R/L 48815-50080	m #9	17.84
	#R&R Complete, Not Included in O/H, Deduct .2 for Each Lower Arm Removed		
32 Crossmember, Susp	51206-50010	m #7.5	787.38
33 Cushion, Crossmember	R/L 52271-50011	m #7.5	58.78

#R&R Complete, w/Suspension Removed One Side 5.0, Both Sides 2.5, Not Included in O/H

34 Cushion, Mounting	R/L 52275-50011	m	58.78
35 Brace, Lower	R 52297-50011	m .4	36.74
	L 52298-50011	m .4	36.74
Stopper, Support			
36 Upper	R/L 52282-50011	m	22.52
37 Lower	R/L 52283-50011	m	17.57
38 Hook, Tie Down	R 51967-50010	m	36.74
	L 51968-50010	m	36.41

## REAR DRIVE AXLE

R&I Drive Axle Assy ..... #1.0  
#w/Axle Carrier Removed Deduct .7, w/Air Suspension Add .1

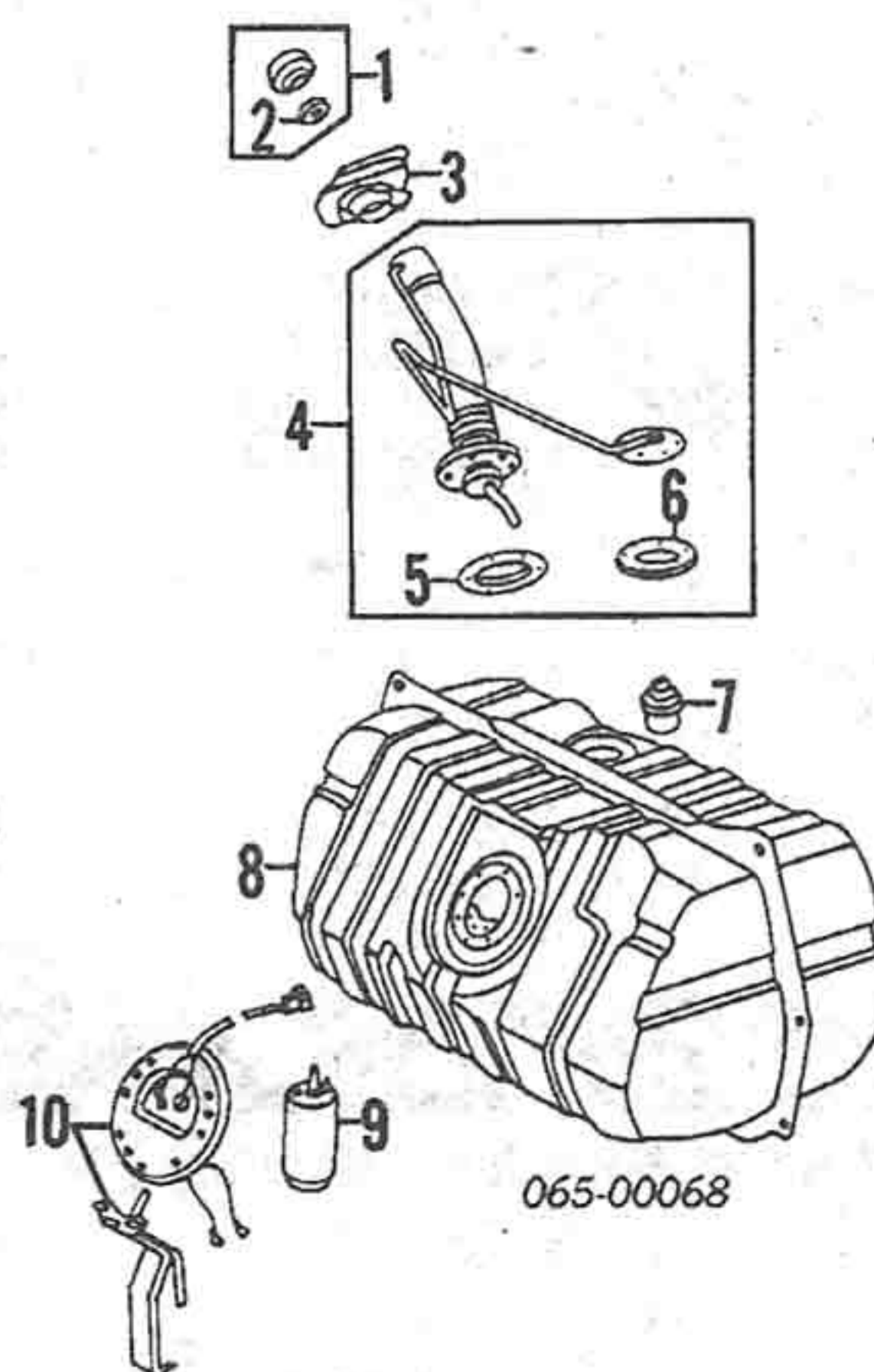


065-00067

1 Axle Assy, Drive w/Traction Control	R 42330-50022	m #1.0	378.83
	L 42340-50022	m #1.0	362.91
w/o Traction Control	R 42330-50022	m #1.0	378.83
	L 42340-50022	m #1.0	362.91
	#R&R Both Sides 1.8, w/Air Suspension Add .1 Each Side, w/Axle Carrier Removed Deduct .7		
2 Shaft, Joint Outer (a)			
w/Traction Control			
Right	42370-59028	m #6	524.08
Left	90-91 42380-59028	m #6	514.99
	92-94 42380-59028	m #6	514.99
w/o Traction Control	90-91 R 42370-59028	m #6	524.08
	L 42380-59015	m #6	593.86
	92-94 R 42370-59028	m #6	524.08
	L 42380-59028	m #6	514.99
	(a) Additional Parts &/or Dealer Contact Required #w/Axle Removed, w/Air Susp Add .1 Each Side		
3 Boot, Outer	90-91 R/L 04437-50023	m #6	35.80
	92-94 R/L 04437-50022	m #6	32.57
4 Boot, Inner	90-91 R/L 04437-50013	m #6	22.70
	92-94 R/L 04437-50012	m #6	20.50
	#R&R Both w/Axle Assy Removed, w/Air Susp Add .1		
5 Cover, Joint	R/L 43446-50020	m #6	14.83
6 Joint, Inner	1990-91 R/L 43409-24010	m #6	329.76
	1992-94 R/L 43409-24010	m #6	329.76
7 Cover, End	R/L 42344-50010	m #6	14.34
	Included w/Drive Axle Assy #R&R One Side Complete, w/Axle Removed, w/Air Susp Add .1 Each Side		

## FUEL TANK

NOTE: R&R Does Not include drain fuel.



065-00068

1 Cap Assy, Filler	77310-12140-73		15.58
2 Gasket, Cap	77316-16010		11.86
	Included w/Filler Cap Assy		
3 Shield, Filler Pipe	77293-50011		71.39
4 Pipe Assy, Filler	77201-50010		159.23
5 Gasket, Lower	77169-14010		4.05
6 Gasket, Suction Tube	77169-50010		2.85
	Included w/Filler Pipe Assy		
7 Valve, Cut Off	77380-50010		20.55
8 Tank, Fuel	77001-50020	m #2.7	495.81

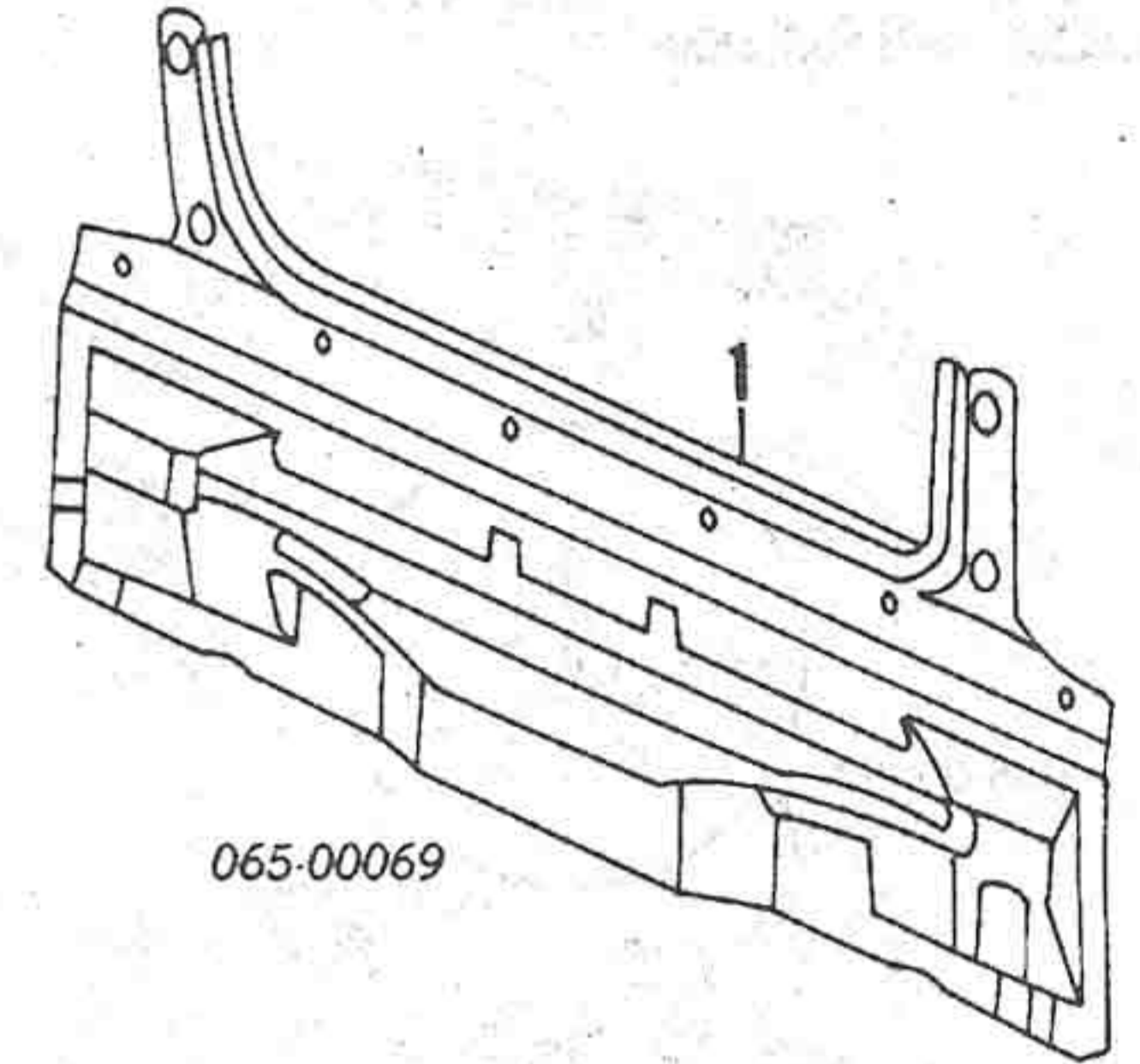
9 Pump, Fuel				
Aisan Brand	23221-50010	m #2.7	332.81	
Denso Brand	23221-50020	m #2.7	295.74	
10 Bracket, Fuel Pump	90-92 23206-50020	m #2.7	125.28	
	93-94 23206-50011	m #2.7	69.97	
	#R&R Complete			

## REAR BODY

Use Procedure Explanations 26 and 28 with the following text.

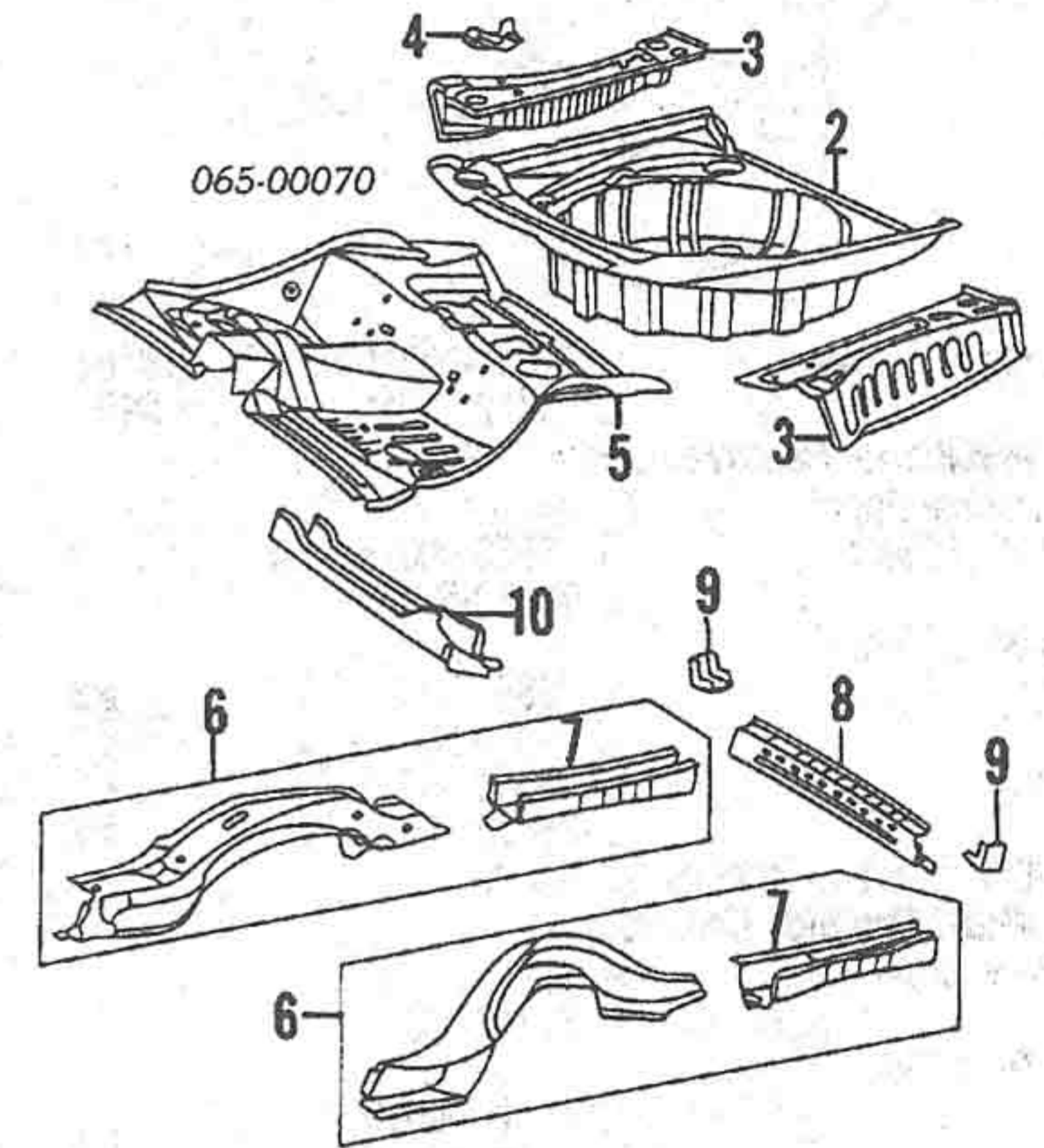
## SHEET METAL

Refinish Rear Body Panel Outside	2.0
Add for Edge & Inside	.8
Refinish Rear Floor Pan	1.5



065-00069

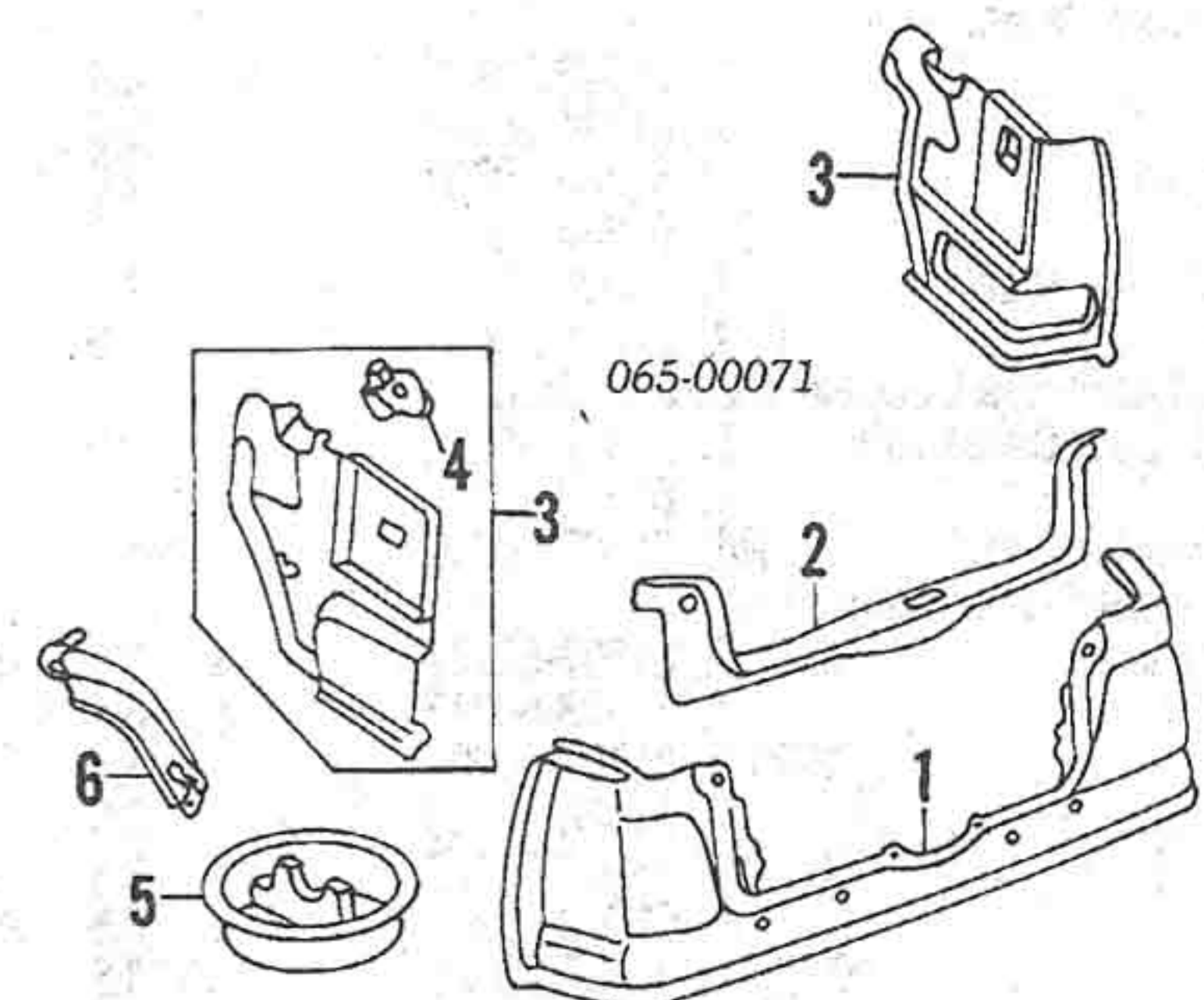
1 Panel, Rear Body	58307-50011	#8.0	251.46
	#Deduct 3.0 for Each Quarter Panel Removed, Deduction Includes Common Surfaces & Included Operations		



065-00070

2 Pan, Rear Floor	90-92 58301-50903	#14.0	378.30
	93-94 58301-50903	#14.0	378.30
	#w/Rear Panel Removed, Deduct 1.5 for Each Rear Floor Extension Removed		
3 Extension, Rear Floor	R 58313-50010	#3.0	83.28
	L 58314-50011	#3.0	95.20
	#w/Quarter Panel Removed, w/Side Unirail Also Removed Deduct 2.0		
4 Bracket, Extension	R/L 58319-50011		16.75
5 Pan, Center Floor	58201-50904		480.27
6 Unirail Assy, Side	R 57601-50021	s #8.5	441.82
	L 57602-50020	s #8.5	441.82
	#w/Rear Floor Pan Removed Deduct 3.5		
7 Unirail, Side	R 57615-50902	s #3.5	73.33
	L 57616-50901	s #3.5	73.33
	Included w/Side Unirail Assy #w/Rear Floor Pan Removed Deduct 1.5		
8 Crossmember, Rear	57653-50013	1.5	77.33
9 Plate, Rear Floor	R/L 58149-50010		3.71
10 Crossmember, Center	57605-50010	#3.5	131.23
	#w/Necessary Bolted Parts & Assemblies Removed		

## INTERIOR TRIM



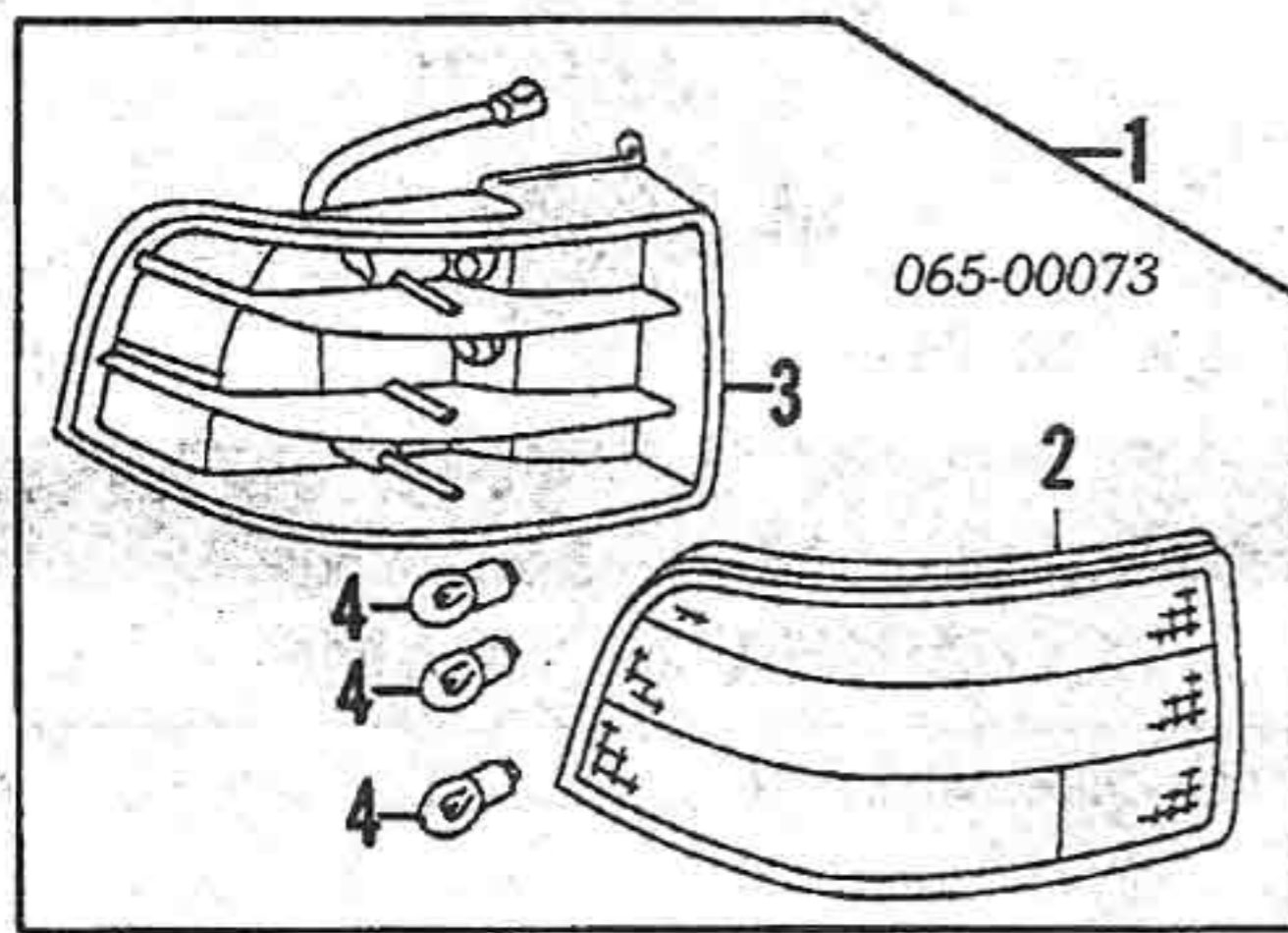
065-00071

1 Panel, Rear Trim	90-92 64716-50010-01	.4	175.65
--------------------	----------------------	----	--------

Panel, Front Trim	93-94 64716-50011-C2	.4	161.64
2 Cover, Lid Striker	64717-50010-01	.3	253.34
3 Panel Assy, Side Trim	R 64749-50010-C0	.2	92.40
	L 64710-50020-01	#.3	125.28
	L 64720-50013-01	#.2	152.57
<i>¶Order by Application</i>			
<i>#wFront Trim Panel Removed</i>			
4 Lock, Tool Box (a)	90-91 75260-50010-01	.2	d12.05
	92-94 75260-50011-C0	.2	12.39
	<i>(a) Included w/Left Side Trim Panel Assy</i>		
5 Cover, Spare Wheel	90-92 64771-50010		75.95
	93-94 64771-24020		68.94
6 Brace, Qtr Panel	L 61638-50011		60.17

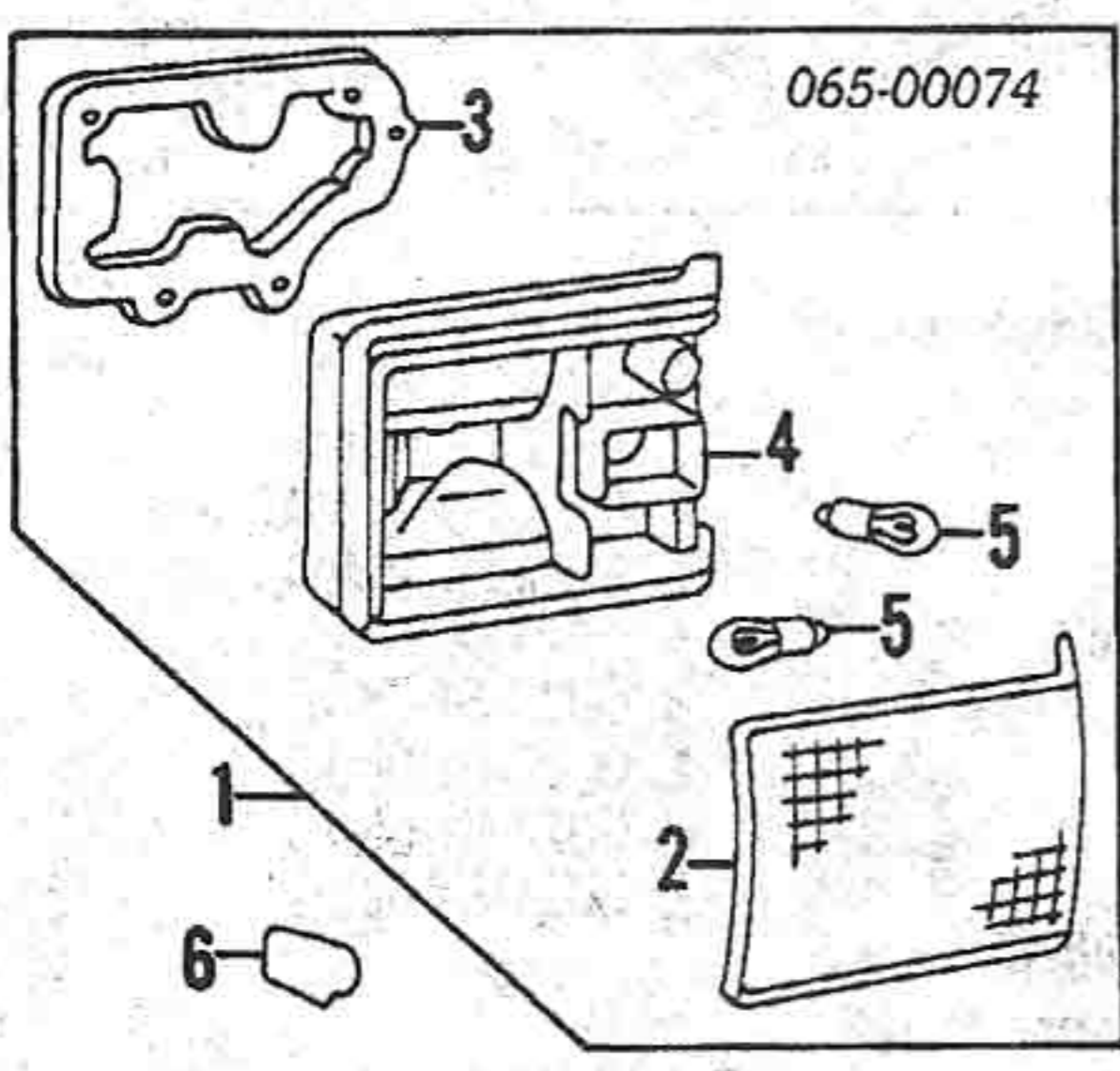
## REAR LAMPS

### COMBINATION LAMP ON REAR BODY



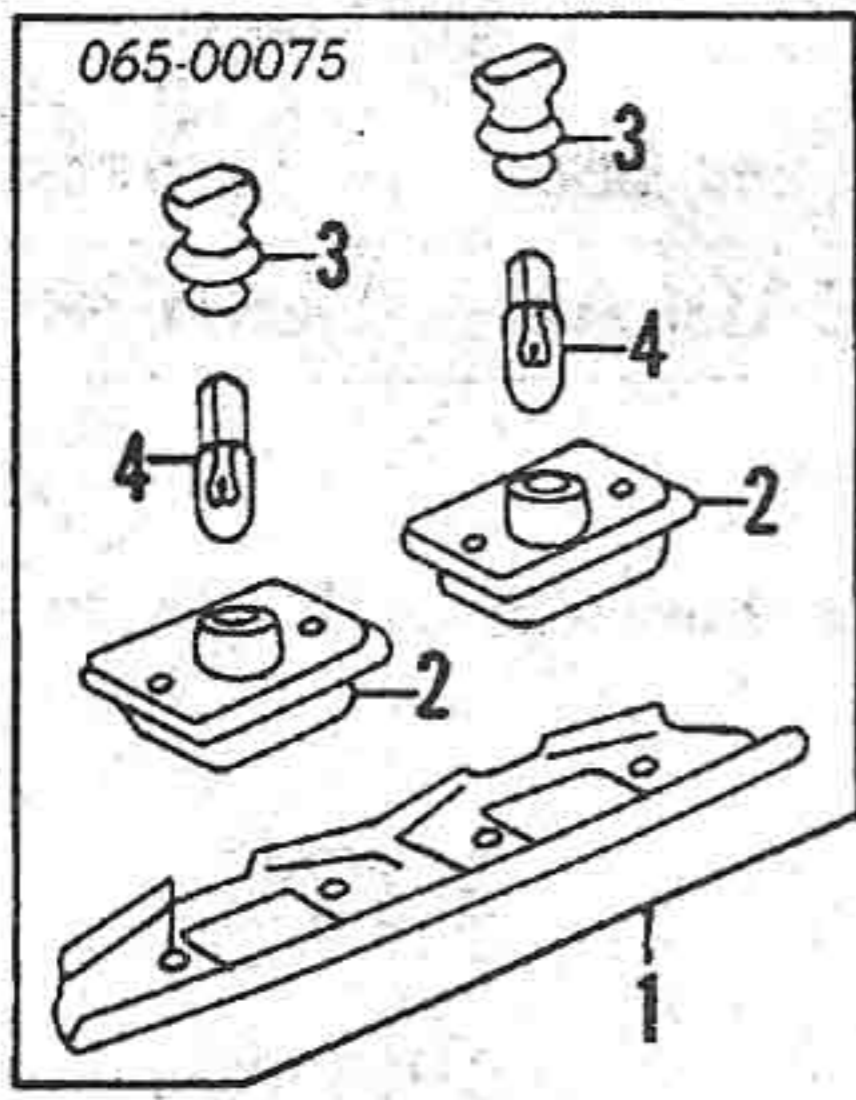
1 Lamp Assy	R 81550-50010	.5	206.87
	L 81560-50010	.5	206.87
2 Lens	R 81551-50010	.6	107.90
	L 81561-50010	.6	107.90
3 Socket & Wire	R/L 81555-50010		33.29
4 Bulb			
Signal/Stop/Tail	R/L 00234-01157		.50
Back-Up	R/L 00234-01156		.89
<i>¶Included w/Lamp Assy</i>			

### COMBINATION LAMP ON LUGGAGE LID



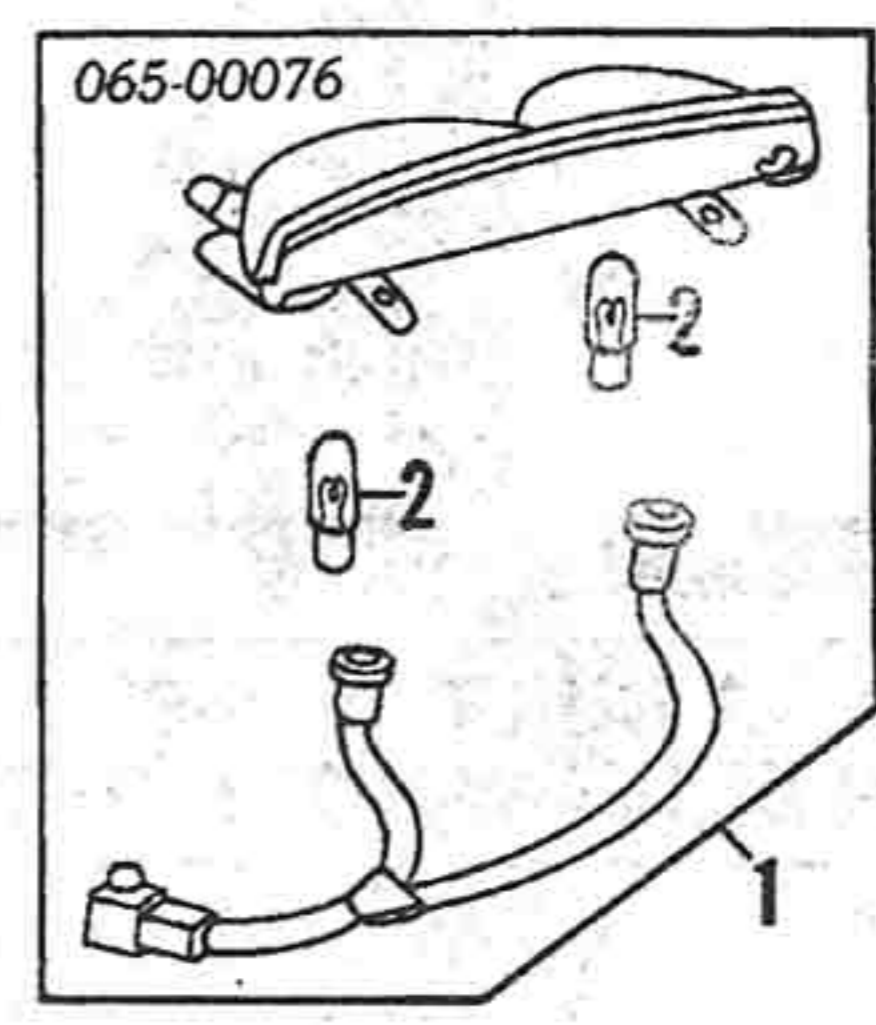
1 Lamp Assy	R 81580-50010	.4	145.19
	L 81590-50010	.4	145.19
2 Lens	R 81581-50010	.5	52.15
	L 81591-50010	.5	52.15
3 Gasket	R 81582-50010		11.87
	L 81592-50010		11.87
4 Socket & Wire	R 81585-50010		38.50
	L 81595-50010		38.50
5 Bulb			
Signal/Stop/Tail	R/L 00234-01157		.50
Back-Up	R/L 00234-01156		.89
<i>¶Included w/Lamp Assy</i>			
6 Cover, Lamp Upper	R 81497-50010		2.06
	L 81498-50010		2.06

### LICENSE LAMP



1 Lamp Assy	90-92 81270-50010	.5	98.85
	93-94 81270-50030	.5	89.88
2 Lens	81271-50010		10.65
3 Socket & Wire	R/L 81275-50010		10.71
4 Bulb	R/L 00234-00192		.93
<i>¶Included w/Lamp Assy</i>			

## STOP LAMP HIGH MOUNT



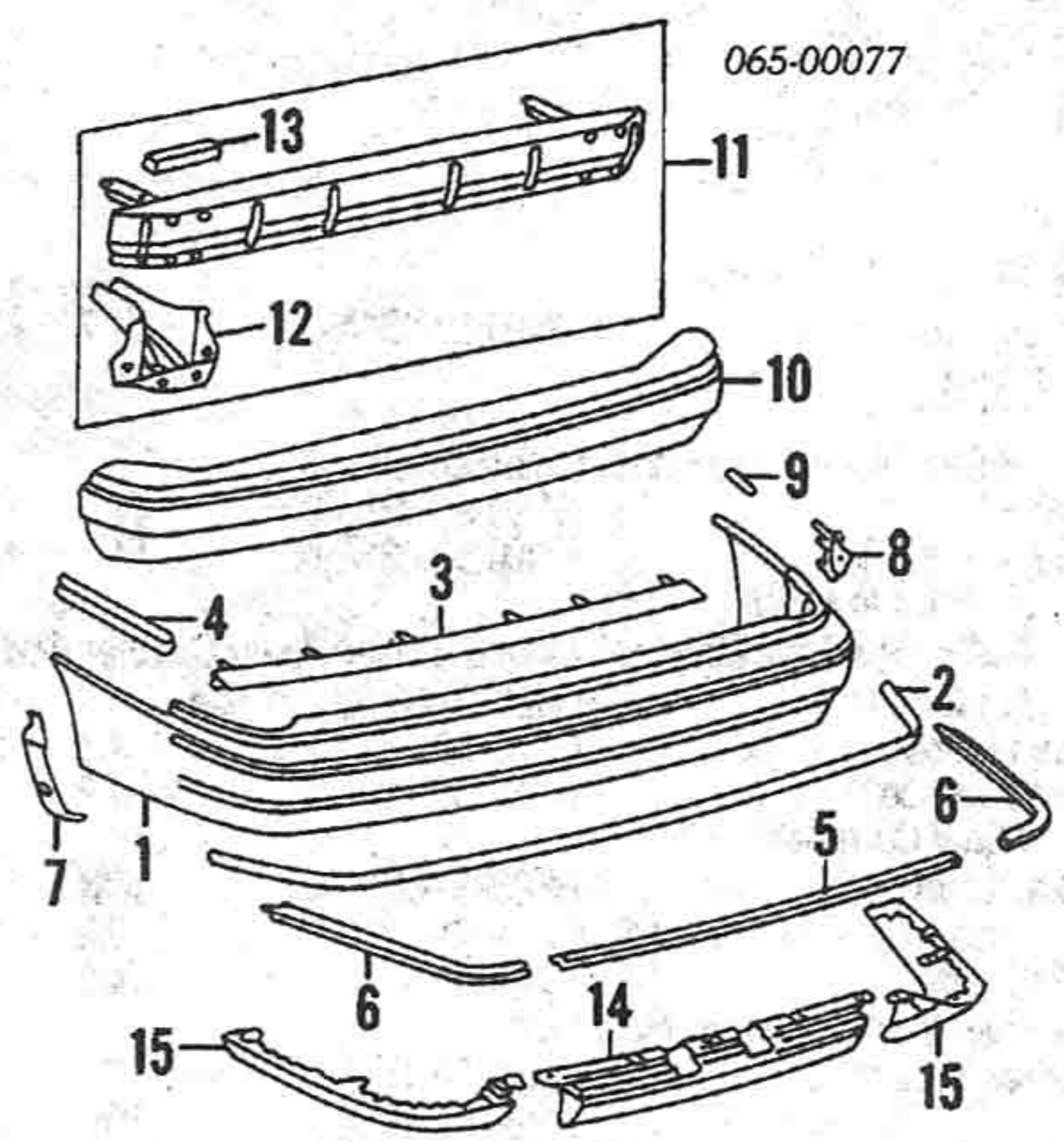
1 Lamp Assy	81570-50011	.3	84.11
<i>¶Located on Rear Parcel Shelf</i>			
2 Bulb	R/L 90981-11059		3.56
<i>¶Included w/Lamp Assy</i>			

## REAR BUMPER

Use Procedure Explanations 27 and 28 with the following text.

Refinish Rear Cover	2.5
Refinish Spoiler	
Center	.5
Side	R/L .4
R&I Bumper Assy	1.4
O/H Bumper Assy (Includes R&I)	2.7
Add to O/H Bumper Assy	
w/Spoiler	.5
w/CD Changer	.3
w/Cellular Phone	.3

NOTE: All Parts in this section are included in overhaul unless noted otherwise.



1 Cover, Rear (P)	52159-50902	#2.5	448.21
<i>(P) Paint to Match</i>			
<i>#w/CD Changer Add .3, w/Spoiler Add .5</i>			
2 Moulding, Cover Retainer, Cover	52751-50010	.4	116.99
3 Upper Center	52561-50010	IOH	73.15
4 Upper Side	R 52577-50010	IOH	23.84
	L 52578-50010	IOH	23.84
5 Lower Center	52565-50010	IOH	29.23
6 Lower Side	90-92 R 52567-50010	IOH	19.76
	L 52568-50010	IOH	26.25
	93-94 R 52567-50020	IOH	22.46
	L 52568-50020	IOH	22.46
7 End	90-92 R/L 52587-50010	IOH	13.83
	93-94 R/L 52587-50020	IOH	12.63
8 Rear Side	R 52575-50010	IOH	7.21
	L 52576-50010	IOH	7.21
9 Bracket, Side	R 52167-50010	IOH	3.12
	L 52168-50010	IOH	3.15
10 Absorber, Impact	52615-50010	IOH	99.12
11 Bar Assy, Reinf	90-92 52023-50010	IOH	286.00
	93-94 52023-50020	IOH	259.87
12 Arm, Mounting	R/L 52015-50010	#.4	54.46
<i>#w/Bumper Removed, Not Included in O/H</i>			
13 Seal, Mtg Arm	R/L 52191-50010	IOH	1.82
<i>¶Included w/Reinforcement Bar Assy</i>			
14 Spoiler, Air Center (P)	90-92 76971-50010	.4	37.80
	93-94 76971-50900	.4	68.94
15 Spoiler, Air Side (P)	90-92 R 76973-50010	.3	33.38
	L 76974-50010	.3	33.38
	93-94 R 52108-50901	.3	97.09
	L 52109-50901	.3	97.09

(P) Paint to Match